

Vacuum/pressure sensor

<https://www.schmalz.com/10.06.02.00560>



VS V SA M8-4

Part no.: 10.06.02.00560

Homepage > Vacuum Technology for Automation > Vacuum Components > Switches and System Monitoring > Vacuum and Pressure Sensors >

Vacuum and Pressure Sensors VS > VS V SA M8-4

Vacuum/pressure sensor



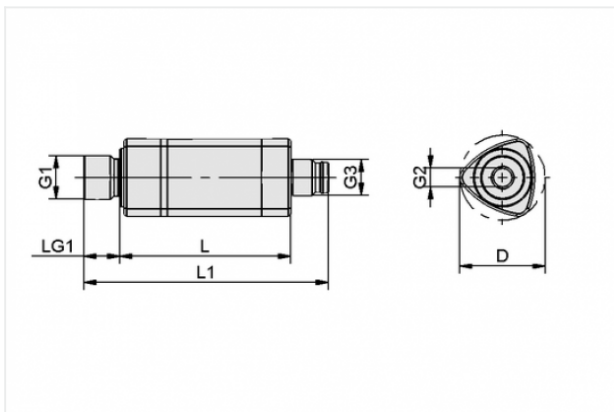
Measuring range: -1...0 bar

Type: Analogue sensor

Electrical connection:

Male connect M8, 4 pole

Design Data



Attribute	Value
-----------	-------

D	19.6 mm
---	---------

G1	G1/8"-M
----	---------

G2	M5-F
----	------

G3	M8x1-M
----	--------

L	38 mm
---	-------

L1	55 mm
----	-------

LG1	8 mm
-----	------

Technical Data

Attribute	Value
-----------	-------

Type	Analogue sensor
------	-----------------

Contact to Schmalz

J. Schmalz GmbH | Johannes-Schmalz-Straße, 72293 Glatten, Deutschland | +49 7443 2403-102 | customercenter@schmalz.de

Attribute	Value
Measured medium	Non-aggressive gases; dry, oil-free air
Measuring range	-1.0 ... 0.0 bar
Overpressure resistance	8 bar
Repeatability	± 3% of full-scale value
Inputs/outputs	Analogue: 0...10 V
Electrical connection	Male connect M8, 4 pole
Connection	G1/8"-M + M5-F
Voltage	15-30V DC
Current consumption	10 mA
Protection	IP 65
Temperature influence	± 3% of full-scale value
Ambient temperature	0 ... 50 °C
Weight	12 g
Measuring range	-14.5 ... 0.0 psi
Overpressure resistance	116.03 psi

Accessories



ASK B-M8-4 3000 K-4P

Part no. 10.06.02.00472

Connection cable

Interface Connection 1:

Fem connect M8, 4 pol

Cable length: 3000 mm

Interface Connection 2: Cable 4

Material: PUR-Cable

Contact to Schmalz

J. Schmalz GmbH | Johannes-Schmalz-Straße, 72293 Glatten, Deutschland | +49 7443 2403-102 | customercenter@schmalz.de



BEF-WIN 18x22x59 1 VS

Part no. 10.06.02.00061

Mounting bracket

Width B: 18 mm

Height H: 22 mm

Length L: 59 mm

Wall thickness s: 1 mm

for: Vacuum switch