

# Vacuum sensor

## VS-V-SA M3-AG

<https://www.schmalz.com/10.06.02.00225>



Part no.: 10.06.02.00225

Homepage > Vacuum Technology for Automation > Vacuum Components > Switches and System Monitoring > Vacuum and Pressure Sensors >

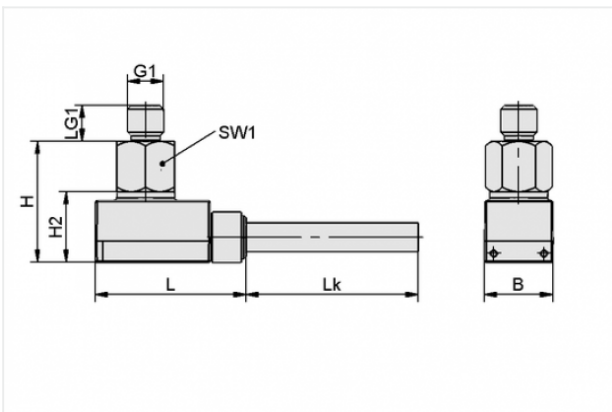
Vacuum Sensor VS-V-SA > VS-V-SA M3-AG

### Miniature vacuum sensor with analogue output signal



Connection: M3-M  
Measuring range: -1.00 ... 0.00 bar  
Cable length: 3 m

### Design Data



| Attribute | Value |
|-----------|-------|
|-----------|-------|

|     |         |
|-----|---------|
| B   | 9.5 mm  |
| G1  | M3-M    |
| H   | 16.9 mm |
| L   | 21 mm   |
| LG1 | 3 mm    |
| Lk  | 3 m     |
| SW1 | 8 mm    |

### Technical Data

| Attribute       | Value                                   |
|-----------------|---|
| Measured medium | Non-aggressive gases; dry, oil-free air |

### Contact to Schmalz

J. Schmalz GmbH | Johannes-Schmalz-Straße, 72293 Glatten, Deutschland | +49 7443 2403-102 | [customercenter@schmalz.de](mailto:customercenter@schmalz.de)

| <b>Attribute</b>        | <b>Value</b>             |
|-------------------------|--------------------------|
| Overpressure resistance | 5 bar                    |
| Repeatability           | ± 1% of full-scale value |
| Inputs/outputs          | Analogue: 1...5 V        |
| Electrical connection   | Cable                    |
| Connection              | M3-M                     |
| Voltage                 | 10-24V DC                |
| Protection              | IP 40                    |
| Temperature influence   | ± 3% of full-scale value |
| Weight                  | 5 g                      |

---

---