

# Vacuum/pressure switch electromech

## VS-V-EM-ST

<https://www.schmalz.com/10.06.02.00457>



Part no.: 10.06.02.00457

Homepage > Vacuum Technology for Automation > Vacuum Components > Switches and System Monitoring > Mechanic Vacuum Switches > Vacuum Switches VS-V-PM / EM-ST > VS-V-EM-ST

## Vacuum/pressure switch, electromechanical, with digital output signal



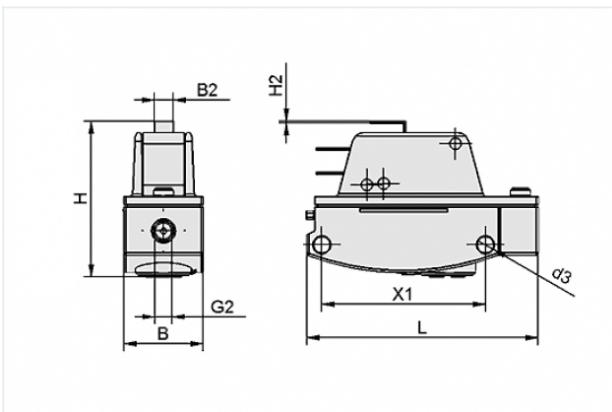
Measuring range: -1.00 ... 0.00 bar

Type: electromechanical

Electrical connection:

Plug-in connection

### Design Data



Attribute	Value
-----------	-------

B	19.8 mm
---	---------

d3	4.2 mm
----	--------

G2	M5-F
----	------

H	36.1 mm
---	---------

L	58 mm
---	-------

X1	41 mm
----	-------

### Technical Data

Attribute	Value
-----------	-------

Overpressure resistance	6 bar
-------------------------	-------

Repeatability	± 3% of full-scale value
---------------	--------------------------

### Contact to Schmalz

J. Schmalz GmbH | Johannes-Schmalz-Straße, 72293 Glatten, Deutschland | +49 7443 2403-102 | [customercenter@schmalz.de](mailto:customercenter@schmalz.de)

Attribute	Value
Hysteresis	Fixed: 60...80 mbar
Switching frequency	1 Hz
Weight	33 g

## Accessories



### **ABDK 85x19.8x32 ST**

Part no. 10.06.02.00453

Protection hood VS

Length L: 85 mm

Width B: 19.8 mm

Height H: 32 mm

Electrical connection:

Plug-in connection



### **ABDK 85x19.8x32 M8-4**

Part no. 10.06.02.00454

Protection hood VS

Length L: 85 mm

Width B: 19.8 mm

Height H: 32 mm

Electrical connection:

Male connect M8, 4 pol



**ASK S-M8-4 2000 CR**

Part no. 10.06.02.00460

Connection cable

Interface Connection 1:

Male connect M8, 4 pole

Cable length: 2000 mm

Interface Connection 2:

Crimping connection

Material: PVC-Cable