

# Vacuum/pressure switch pneumatic

## VS-V-PM-NO

<https://www.schmalz.com/10.06.02.00456>



Part no.: 10.06.02.00456

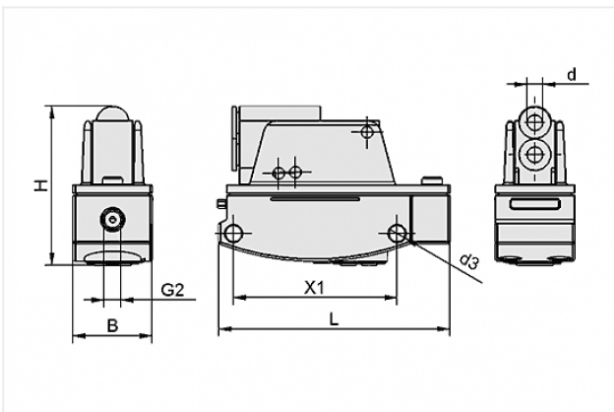
Homepage > Vacuum Technology for Automation > Vacuum Components > Switches and System Monitoring > Mechanic Vacuum Switches > Vacuum Switches VS-V-PM / EM-ST > VS-V-PM-NO

## Vacuum switch, pneumatic, with pneumatic output signal



Type: Normally open  
Measuring range: -1.0 ... 0.0  
Hysteresis: Fixed: approx. 10 mbar

### Design Data



Attribute	Value
-----------	-------

B	19.8 mm
---	---------

d	4 mm
---	------

d3	4.2 mm
----	--------

G2	M5-F
----	------

H	40 mm
---	-------

L	58 mm
---	-------

X1	41 mm
----	-------

### Technical Data

Attribute	Value
-----------	-------

Type	Normally open
------	---------------

### Contact to Schmalz

J. Schmalz GmbH | Johannes-Schmalz-Straße, 72293 Glatten, Deutschland | +49 7443 2403-102 | [customercenter@schmalz.de](mailto:customercenter@schmalz.de)

<b>Attribute</b>	<b>Value</b>
Overpressure resistance	6 bar
Repeatability	± 3% of full-scale value
Hysteresis	Fixed: approx. 10 mbar
Weight	33 g

---

---