

Vacuum/pressure switch pneumatic VS-V-PM-NC

<https://www.schmalz.com/10.06.02.00455>



Part no.: 10.06.02.00455

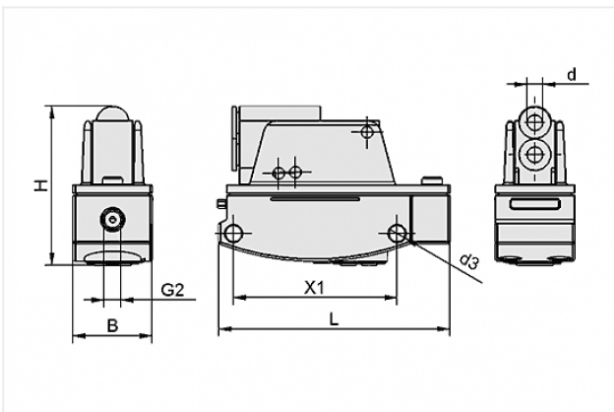
Homepage > Vacuum Technology for Automation > Vacuum Components > Switches and System Monitoring > Mechanic Vacuum Switches > Vacuum Switches VS-V-PM / EM-ST > VS-V-PM-NC

Vacuum switch, pneumatic, with pneumatic output signal



Type: Normally closed
Measuring range: -1.0 ... 0.0
Hysteresis: Fixed: approx. 40 mbar

Design Data



Attribute	Value
-----------	-------

B	19.8 mm
d	4 mm
d3	4.2 mm
G2	M5-F
H	40 mm
L	58 mm
X1	41 mm

Technical Data

Attribute	Value
Type	Normally closed

Contact to Schmalz

J. Schmalz GmbH | Johannes-Schmalz-Straße, 72293 Glatten, Deutschland | +49 7443 2403-102 | customercenter@schmalz.de



Attribute	Value
Overpressure resistance	6 bar
Repeatability	± 3% of full-scale value
Hysteresis	Fixed: approx. 40 mbar
Weight	33 g
