

Filter with mounting kit

FAS 56 G1/4-AG

Part no.: 10.05.01.00065

<https://www.schmalz.com/10.05.01.00065>



Homepage > Vacuum Technology for Automation > Vacuum Components > Valve Technology > Solenoid Valves > FAS 56 G1/4-AG

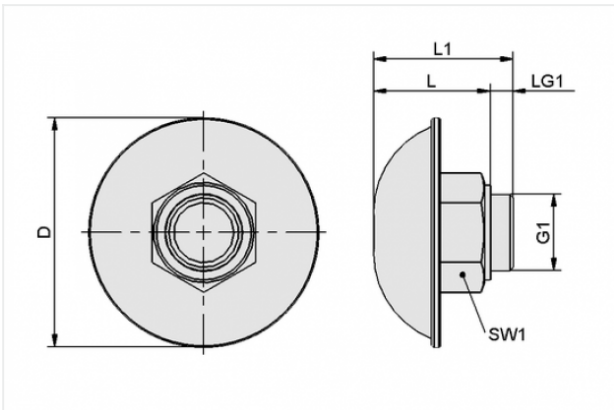
Filter with mounting kit



External diameter D: 56 mm

Thread G1: G1/4-M

Design Data



Attribute	Value
D	56 mm
G1	G1/4"-M

Technical Data

Attribute	Value
Weight	128.4 g

Contact to Schmalz

J. Schmalz GmbH | Johannes-Schmalz-Straße, 72293 Glatten, Deutschland | +49 7443 2403-102 | customercenter@schmalz.de