

Filter with mounting kit

<https://www.schmalz.com/10.05.01.00064>



FAS 80x32 G1-1/4-AG EMVP-25+50

Part no.: 10.05.01.00064

Homepage > Vacuum Technology for Automation > Vacuum Components > Valve Technology > Solenoid Valves > FAS 80x32 G1-1/4-AG

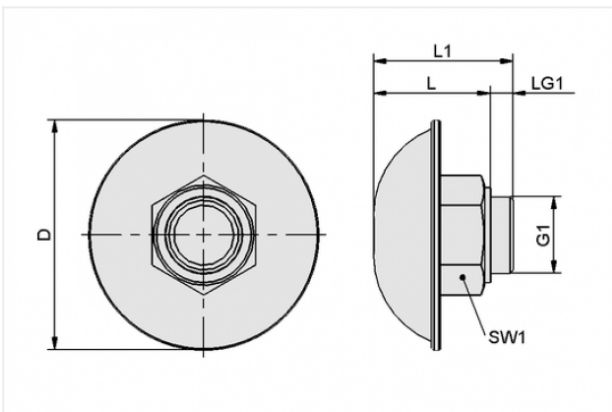
EMVP-25+50

Filter with mounting kit



External diameter D: 80 mm
Length L: 32 mm
Thread G1: G1-1/4-M
for: Solenoid valve
Size: 25+50

Design Data



Attribute	Value
-----------	-------

D	80 mm
G1	G1-1/4"-M
L	32 mm
L1	50 mm
LG1	19.5 mm
SW1	46 mm

Technical Data

Attribute	Value
Weight	194.1 g

Contact to Schmalz

J. Schmalz GmbH | Johannes-Schmalz-Straße, 72293 Glatten, Deutschland | +49 7443 2403-102 | customercenter@schmalz.de



Contact to Schmalz

J. Schmalz GmbH | Johannes-Schmalz-Straße, 72293 Glatten, Deutschland | +49 7443 2403-102 |
customercenter@schmalz.de