

Filter with mounting kit

<https://www.schmalz.com/10.05.01.00063>



FAS 80x38 G1-AG EMVP

Part no.: 10.05.01.00063

Homepage > Vacuum Technology for Automation > Vacuum Components > Valve Technology > Solenoid Valves > FAS 80x38 G1-AG EMVP

Filter with mounting kit



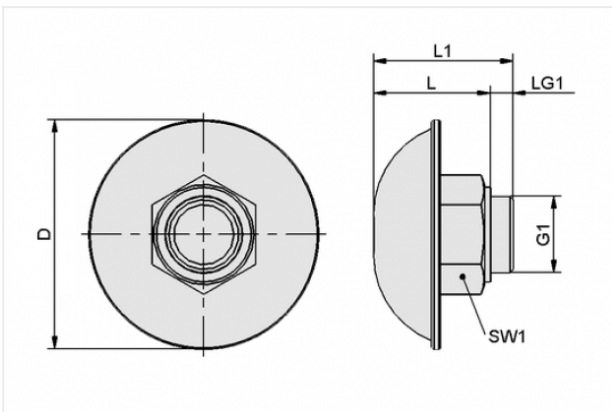
External diameter D: 80 mm

Length L: 38 mm

Thread G1: G1-M

for: Solenoid valve

Design Data



Attribute	Value
D	80 mm
G1	G1"-M
L	38 mm
L1	56 mm
LG1	18 mm
SW1	46 mm

Technical Data

Attribute	Value
Weight	252.6 g

Contact to Schmalz

J. Schmalz GmbH | Johannes-Schmalz-Straße, 72293 Glatten, Deutschland | +49 7443 2403-102 | customercenter@schmalz.de



Contact to Schmalz

J. Schmalz GmbH | Johannes-Schmalz-Straße, 72293 Glatten, Deutschland | +49 7443 2403-102 |
customercenter@schmalz.de