

Filter with mounting kit

<https://www.schmalz.com/10.05.01.00062>



FAS 80x39 G3/4-AG

Part no.: 10.05.01.00062

Homepage > Vacuum Technology for Automation > Vacuum Components > Valve Technology > Solenoid Valves > FAS 80x39 G3/4-AG

Filter with mounting kit

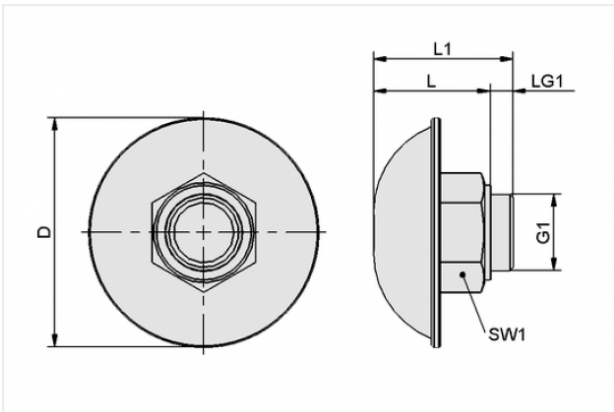


External diameter D: 80 mm

Length L: 39 mm

Thread G1: G3/4-M

Design Data



Attribute	Value
D	80 mm
G1	G3/4"-M
L	39 mm
L1	47 mm
LG1	8 mm
SW1	36 mm

Technical Data

Attribute	Value
Filter pore size	90 μ m
Weight	160.5 g

Contact to Schmalz

J. Schmalz GmbH | Johannes-Schmalz-Straße, 72293 Glatten, Deutschland | +49 7443 2403-102 | customercenter@schmalz.de



Contact to Schmalz

J. Schmalz GmbH | Johannes-Schmalz-Straße, 72293 Glatten, Deutschland | +49 7443 2403-102 |
customercenter@schmalz.de