

Filter with mounting kit

<https://www.schmalz.com/10.05.01.00061>



FAS 80x33.8 G1/2-AG

Part no.: 10.05.01.00061

Homepage > Vacuum Technology for Automation > Vacuum Components > Valve Technology > Solenoid Valves > FAS 80x33.8 G1/2-AG

Filter with mounting kit

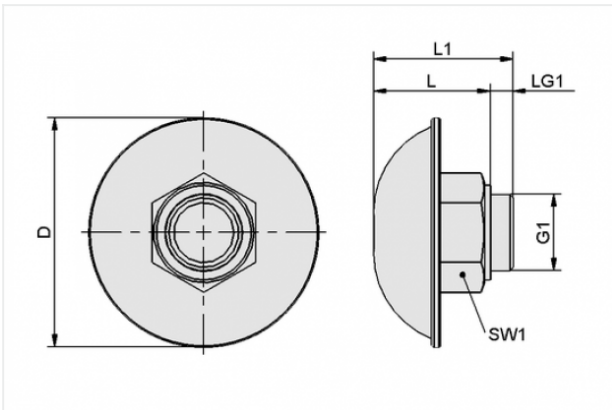


External diameter D: 80 mm

Length L: 33.8 mm

Thread G1: G1/2-M

Design Data



| Attribute | Value |
|-----------|---------|
| D | 80 mm |
| G1 | G1/2"-M |
| L | 33.8 mm |
| L1 | 47 mm |
| LG1 | 13.2 mm |
| SW1 | 25 mm |

Technical Data

| Attribute | Value |
|-----------|-------|
| Weight | 100 g |

Contact to Schmalz

J. Schmalz GmbH | Johannes-Schmalz-Straße, 72293 Glatten, Deutschland | +49 7443 2403-102 | customercenter@schmalz.de

