

Vacuum centre VZ-OG 100 AC3 100 GMS

Part no.: 10.03.04.00122

<https://www.schmalz.com/10.03.04.00122>



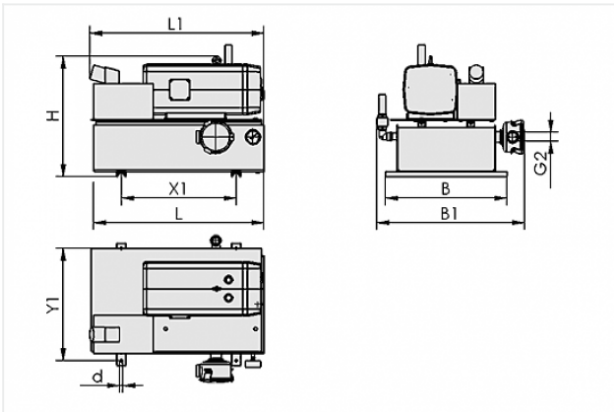
Homepage > Vacuum Technology for Automation > Vacuum Components > Vacuum Generators > Vacuum Centres > Vacuum Centres VZ > VZ-OG 100 AC3 100 GMS

Vacuum centre with oil-lubricated pump and vacuum reservoir



Suction rate: 100 m³/h
Reservoirs volume: 100 l
with: Regulated engine circuit
Voltage: 230/400V ±10%

Design Data



Attribute	Value
B	610 mm
B1	750 mm
d	11 mm
G2	G1-1/4"-F
H	700 mm
L	710 mm
L1	750 mm
X1	480 mm
Y1	570 mm

Contact to Schmalz

J. Schmalz GmbH | Johannes-Schmalz-Straße, 72293 Glatten, Deutschland | +49 7443 2403-102 | customercenter@schmalz.de

Technical Data

Attribute	Value
Vacuum (max)	-750 mbar
Voltage	230/400V ±10%
Motor power	2.2 kW
Reservoirs volume	100 l
Protection	IP 44
Weight	131.5 kg

Spare Parts



ERS-SET EVE-OG 63+100

Part no. 10.03.02.00012

Set of filters

for: Pump_EVE-OG

Size: 63+100



FILT-EINS 3 98x70 PAP STF-1-1/4-IGN

Part no. 10.07.01.00018

Filter insert (round)

Filter pore size: 3 µm

External diameter D: 98 mm

Length L: 70 mm

Filter material: Paper

for: Filters STF

Size: 1-1/4-IGN



OEL-FILT EVE-OG-40-100G

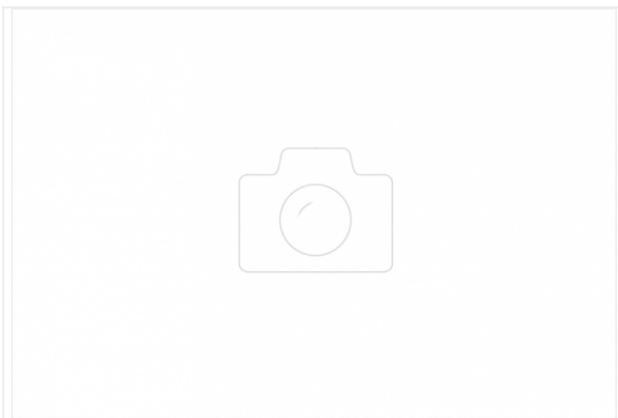
Part no. 10.03.02.00009

Oil filter

for: Pump_EVE-OG

Size: 40-100G

Accessories



OEL EVE-OG 1L ANDEROL 555

Part no. 27.02.01.00055

Oil

for: Pump_EVE-OG

Volume: 1 l