

Vacuum centre VZ-OG 100 AC3 100 MS

Part no.: 10.03.04.00145

<https://www.schmalz.com/10.03.04.00145>



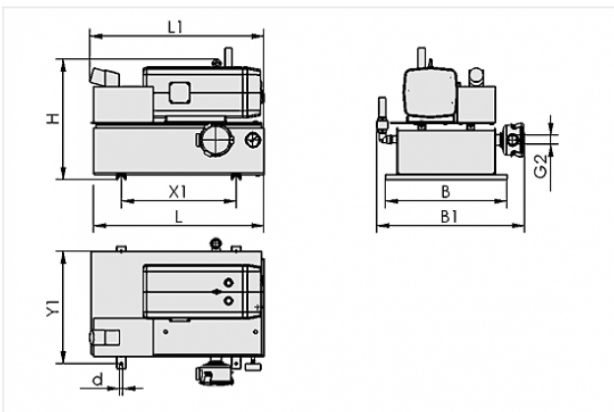
Homepage > Vacuum Technology for Automation > Vacuum Components > Vacuum Generators > Vacuum Centres > Vacuum Centres VZ > VZ-OG 100 AC3 100 MS

Vacuum centre with oil-lubricated pump and vacuum reservoir



Suction rate: 100 m³/h
Reservoirs volume: 100 l
with: Motor-protection switch
Voltage: 230/400 V, 50 Hz

Design Data



| Attribute | Value |
|-----------|-------|
|-----------|-------|

| | |
|---|--------|
| B | 610 mm |
|---|--------|

| | |
|----|--------|
| B1 | 750 mm |
|----|--------|

| | |
|---|-------|
| d | 11 mm |
|---|-------|

| | |
|----|----------|
| G2 | G1-1/4-F |
|----|----------|

| | |
|---|--------|
| H | 700 mm |
|---|--------|

| | |
|---|--------|
| L | 710 mm |
|---|--------|

| | |
|----|--------|
| L1 | 750 mm |
|----|--------|

| | |
|----|--------|
| X1 | 480 mm |
|----|--------|

| | |
|----|--------|
| Y1 | 570 mm |
|----|--------|

Contact to Schmalz

J. Schmalz GmbH | Johannes-Schmalz-Straße, 72293 Glatten, Deutschland | +49 7443 2403-102 | customercenter@schmalz.de

Technical Data

| Attribute | Value |
|-------------------|------------------|
| Vacuum (max) | -980 mbar |
| Voltage | 230/400 V, 50 Hz |
| Motor power | 2.2 kW |
| Reservoirs volume | 100 l |
| Protection | - |
| Weight | 130.5 kg |

Spare Parts



ERS-SET EVE-OG 63+100

Part no. 10.03.02.00012

Set of filters

for: Pump_EVE-OG

Size: 63+100



FILT-EINS 3 98x70 PAP STF-1-1/4-IGN

Part no. 10.07.01.00018

Filter insert (round)

Filter pore size: 3 µm

External diameter D: 98 mm

Length L: 70 mm

Filter material: Paper

for: Filters STF

Size: 1-1/4-IGN

Contact to Schmalz



OEL-FILT EVE-OG-40-100G

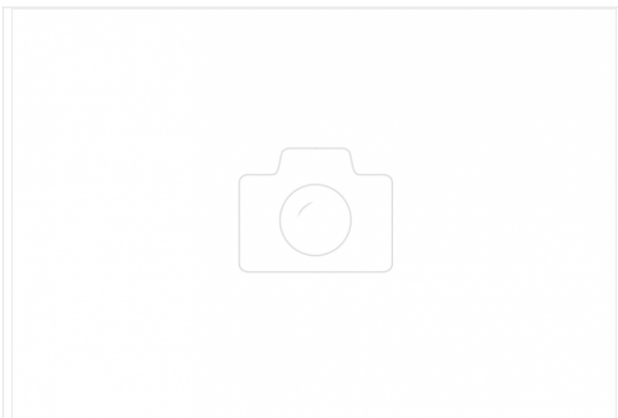
Part no. 10.03.02.00009

Oil filter

for: Pump_EVE-OG

Size: 40-100G

Accessories



OEL EVE-OG 1L ANDEROL 555

Part no. 27.02.01.00055

Oil

for: Pump_EVE-OG

Volume: 1 l