

Vacuum centre

<https://www.schmalz.com/10.03.04.00200>



VZ-TR 80 AC3 100 MS IE3-TYP1

Part no.: 10.03.04.00200

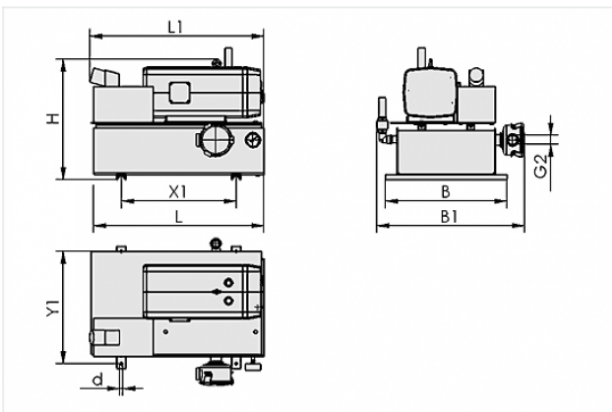
Homepage > Vacuum Technology for Automation > Vacuum Components > Vacuum Generators > Vacuum Centres > Vacuum Centres VZ > VZ-TR 80 AC3 100 MS IE3-TYP1

Vacuum centre with oil-free pump and vacuum reservoir



Suction rate: 80 m³/h
Voltage (50 Hz): D230V/Y400V ±10%
Voltage (60 Hz): D265V/Y460V ±10%
Reservoirs volume: 100 l
with: Motor-protection switch
Construction: IE3:EU/CN/IND
Permission: IE3

Design Data



Attribute	Value
-----------	-------

B	610 mm
---	--------

B1	720 mm
----	--------

d	11 mm
---	-------

G2	G1-1/4"-F
----	-----------

H	690 mm
---	--------

L	710 mm
---	--------

L1	715 mm
----	--------

X1	480 mm
----	--------

Y1	570 mm
----	--------

Contact to Schmalz

J. Schmalz GmbH | Johannes-Schmalz-Straße, 72293 Glatten, Deutschland | +49 7443 2403-102 | customercenter@schmalz.de

Technical Data

Attribute	Value
Vacuum (max)	-900 mbar
Motor power	2.2 kW
Reservoirs volume	100 l
Protection	IP 55
Weight	129.5 kg
Vacuum (max)	-26.577 inHg

Spare Parts



FILT-EINS 99x74 EVE-60-140

Part no. 10.03.01.00032

Filter insert (round)

External diameter D: 99 mm

Length L: 74 mm

for: Pump

Size: 60-140



FILT-EINS 3 98x70 PAP STF-1-1/4-IGN

Part no. 10.07.01.00018

Filter insert (round)

Filter pore size: 3 µm

External diameter D: 98 mm

Length L: 70 mm

Filter material: Paper

for: Filters STF

Size: 1-1/4-IGN

Contact to Schmalz