

# Vacuum centre VZ-TR 40 AC3 50 GMS

Part no.: 10.03.04.00120

<https://www.schmalz.com/10.03.04.00120>



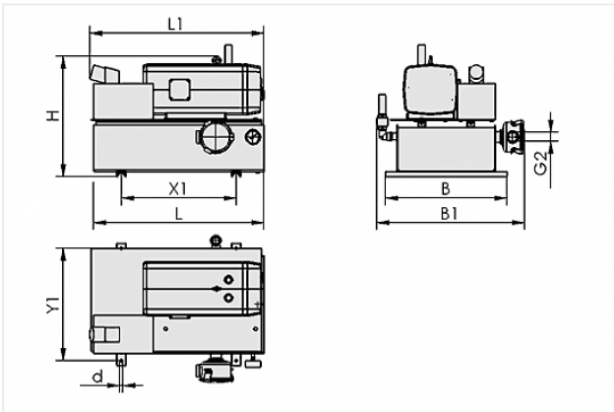
Homepage > Vacuum Technology for Automation > Vacuum Components > Vacuum Generators > Vacuum Centres > Vacuum Centres VZ > VZ-TR 40 AC3 50 GMS

## Vacuum centre with oil-free pump and vacuum reservoir



Suction rate: 40 m<sup>3</sup>/h  
Voltage: 230/400V ±10%  
Reservoirs volume: 50 l  
with: Regulated engine circuit

### Design Data



Attribute	Value
B	510 mm
B1	630 mm
d	11 mm
G2	G1-1/4"-F
H	580 mm
L	710 mm
L1	770 mm
X1	480 mm
Y1	470 mm

### Contact to Schmalz

J. Schmalz GmbH | Johannes-Schmalz-Straße, 72293 Glatten, Deutschland | +49 7443 2403-102 | [customercenter@schmalz.de](mailto:customercenter@schmalz.de)

## Technical Data

Attribute	Value
Vacuum (max)	-850 mbar
Voltage	230/400V ±10%
Motor power	1.25 kW
Reservoirs volume	50 l
Protection	IP 44
Weight	83.5 kg
Vacuum (max)	-25.1 inHg

## Spare Parts



### **FILT-EINS EVE-TR-25-40-50**

Part no. 10.03.01.00023

Filter insert (round)

for: Pump EVE-TR

Size: 25-40-50



### **FILT-EINS 3 98x70 PAP STF-1-1/4-IGN**

Part no. 10.07.01.00018

Filter insert (round)

Filter pore size: 3 µm

External diameter D: 98 mm

Length L: 70 mm

Filter material: Paper

for: Filters STF

Size: 1-1/4-IGN

## Contact to Schmalz

