

Vacuum centre VZ-TR 40 AC3 50

Part no.: 10.03.04.00137

<https://www.schmalz.com/10.03.04.00137>



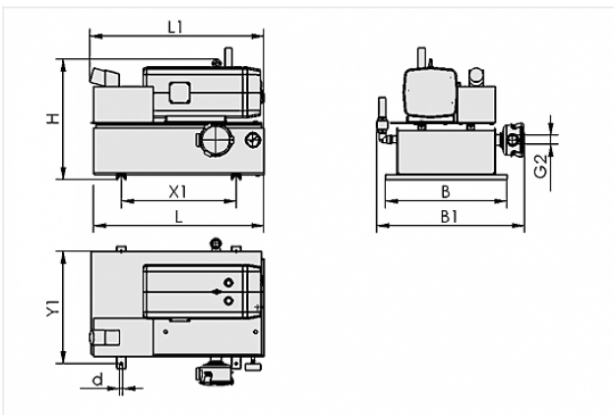
Homepage > Vacuum Technology for Automation > Vacuum Components > Vacuum Generators > Vacuum Centres > Vacuum Centres VZ > VZ-TR 40 AC3 50

Vacuum centre with oil-free pump and vacuum reservoir



Suction rate: 40 m³/h
Voltage: 230/400 V, 50 Hz
Reservoirs volume: 50 l

Design Data



Attribute	Value
-----------	-------

B	510 mm
---	--------

B1	630 mm
----	--------

d	11 mm
---	-------

G2	G1-1/4-F
----	----------

H	580 mm
---	--------

L	710 mm
---	--------

L1	770 mm
----	--------

X1	480 mm
----	--------

Y1	470 mm
----	--------

Contact to Schmalz

J. Schmalz GmbH | Johannes-Schmalz-Straße, 72293 Glatten, Deutschland | +49 7443 2403-102 | customercenter@schmalz.de

Technical Data

Attribute	Value
Vacuum (max)	-850 mbar
Voltage	230/400 V, 50 Hz
Motor power	1.25 kW
Reservoirs volume	50 l
Protection	IP 54
Weight	81.5 kg
Vacuum (max)	-25.1 inHg

Spare Parts



FILT-EINS EVE-TR-25-40-50

Part no. 10.03.01.00023

Filter insert (round)

for: Pump EVE-TR

Size: 25-40-50



FILT-EINS 3 98x70 PAP STF-1-1/4-IGN

Part no. 10.07.01.00018

Filter insert (round)

Filter pore size: 3 µm

External diameter D: 98 mm

Length L: 70 mm

Filter material: Paper

for: Filters STF

Size: 1-1/4-IGN

