

Vacuum centre VZ-TR 25 AC3 50 MS

Part no.: 10.03.04.00142

<https://www.schmalz.com/10.03.04.00142>



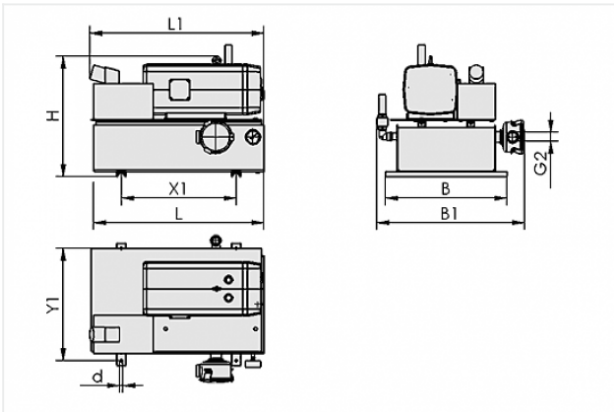
Homepage > Vacuum Technology for Automation > Vacuum Components > Vacuum Generators > Vacuum Centres > Vacuum Centres VZ > VZ-TR 25 AC3 50 MS

Vacuum centre with oil-free pump and vacuum reservoir



Suction rate: 25 m³/h
Voltage: 230/400V ±10%
Reservoirs volume: 50 l
with: Motor-protection switch

Design Data



Attribute	Value
B	510 mm
B1	630 mm
d	11 mm
G2	G1-1/4"-F
H	580 mm
L	710 mm
L1	730 mm
X1	480 mm
Y1	470 mm

Contact to Schmalz

J. Schmalz GmbH | Johannes-Schmalz-Straße, 72293 Glatten, Deutschland | +49 7443 2403-102 | customercenter@schmalz.de

Technical Data

Attribute	Value
Vacuum (max)	-850 mbar
Voltage	230/400V ±10%
Motor power	0.75 kW
Reservoirs volume	50 l
Protection	-
Weight	70 kg
Vacuum (max)	-25.1 inHg

Spare Parts



FILT-EINS EVE-TR-25-40-50

Part no. 10.03.01.00023

Filter insert (round)

for: Pump EVE-TR

Size: 25-40-50



FILT-EINS 3 98x70 PAP STF-1-1/4-IGN

Part no. 10.07.01.00018

Filter insert (round)

Filter pore size: 3 µm

External diameter D: 98 mm

Length L: 70 mm

Filter material: Paper

for: Filters STF

Size: 1-1/4-IGN

Contact to Schmalz

