

Vacuum centre VZ-TR 10 AC3 15 MS

Part no.: 10.03.04.00175

<https://www.schmalz.com/10.03.04.00175>



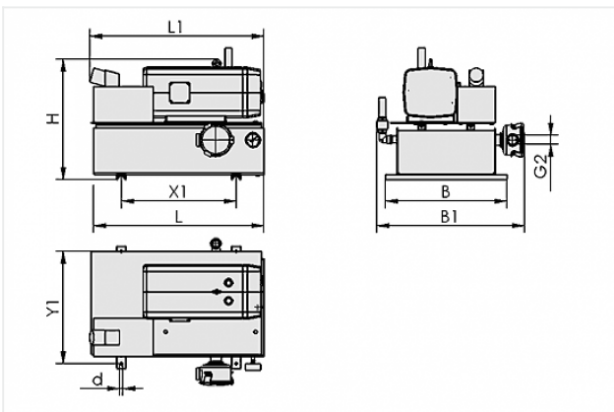
Homepage > Vacuum Technology for Automation > Vacuum Components > Vacuum Generators > Vacuum Centres > Vacuum Centres VZ > VZ-TR 10 AC3 15 MS

Vacuum centre with oil-free pump and vacuum reservoir



Suction rate: 10 m³/h
Voltage: 230/400 V, 50 Hz
Reservoirs volume: 15 l
with: Motor-protection switch

Design Data



| Attribute | Value |
|-----------|-------|
|-----------|-------|

| | |
|---|--------|
| B | 400 mm |
|---|--------|

| | |
|----|--------|
| B1 | 490 mm |
|----|--------|

| | |
|---|-------|
| d | 11 mm |
|---|-------|

| | |
|----|--------|
| G2 | G3/4-F |
|----|--------|

| | |
|---|--------|
| H | 440 mm |
|---|--------|

| | |
|---|--------|
| L | 430 mm |
|---|--------|

| | |
|----|--------|
| L1 | 430 mm |
|----|--------|

| | |
|----|--------|
| X1 | 280 mm |
|----|--------|

| | |
|----|--------|
| Y1 | 360 mm |
|----|--------|

Contact to Schmalz

J. Schmalz GmbH | Johannes-Schmalz-Straße, 72293 Glatten, Deutschland | +49 7443 2403-102 | customercenter@schmalz.de

Technical Data

| Attribute | Value |
|-------------------|------------------|
| Vacuum (max) | -850 mbar |
| Voltage | 230/400 V, 50 Hz |
| Motor power | 0.37 kW |
| Reservoirs volume | 15 l |
| Protection | - |
| Weight | 37.5 kg |
| Vacuum (max) | -25.1 inHg |

Spare Parts



FILT-EINS 3 65x70 PAP STF-3/4-IG

Part no. 10.07.01.00017

Filter insert (round)

Filter pore size: 3 µm

External diameter D: 65 mm

Length L: 70 mm

Filter material: Paper

for: Filters STF

Size: 3/4-IG



FILT-EINS EVE-16-25

Part no. 10.03.01.00022

Filter insert (round)

for: Pump

Size: 16-25

