

# Vacuum centre VZ-TR 10 AC3 15

Part no.: 10.03.04.00174

<https://www.schmalz.com/10.03.04.00174>



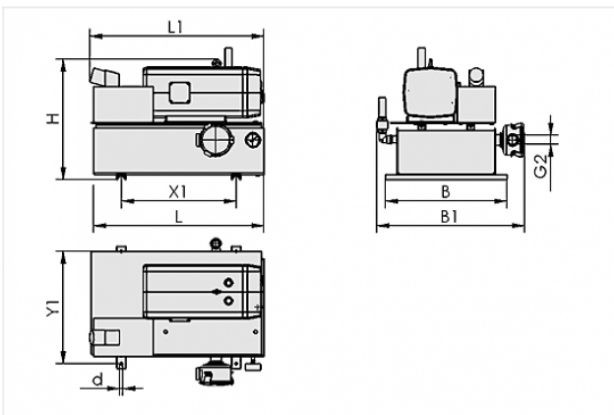
Homepage > Vacuum Technology for Automation > Vacuum Components > Vacuum Generators > Vacuum Centres > Vacuum Centres VZ > VZ-TR 10 AC3 15

## Vacuum centre with oil-free pump and vacuum reservoir



Suction rate: 10 m<sup>3</sup>/h  
Voltage: 230/400 V, 50 Hz  
Reservoirs volume: 15 l

### Design Data



Attribute	Value
-----------	-------

B	400 mm
---	--------

B1	490 mm
----	--------

d	11 mm
---	-------

G2	G3/4-F
----	--------

H	440 mm
---	--------

L	430 mm
---	--------

L1	430 mm
----	--------

X1	280 mm
----	--------

Y1	360 mm
----	--------

### Contact to Schmalz

J. Schmalz GmbH | Johannes-Schmalz-Straße, 72293 Glatten, Deutschland | +49 7443 2403-102 | [customercenter@schmalz.de](mailto:customercenter@schmalz.de)

## Technical Data

Attribute	Value
Vacuum (max)	-850 mbar
Voltage	230/400 V, 50 Hz
Motor power	0.37 kW
Reservoirs volume	15 l
Protection	IP 54
Weight	36.5 kg
Vacuum (max)	-25.1 inHg

## Spare Parts



### FILT-EINS 3 65x70 PAP STF-3/4-IG

Part no. 10.07.01.00017

Filter insert (round)

Filter pore size: 3 µm

External diameter D: 65 mm

Length L: 70 mm

Filter material: Paper

for: Filters STF

Size: 3/4-IG



### FILT-EINS EVE-16-25

Part no. 10.03.01.00022

Filter insert (round)

for: Pump

Size: 16-25

## Contact to Schmalz

