

# Vacuum centre VZ-TR 4 AC 5 GMS

Part no.: 10.03.04.00203

<https://www.schmalz.com/10.03.04.00203>



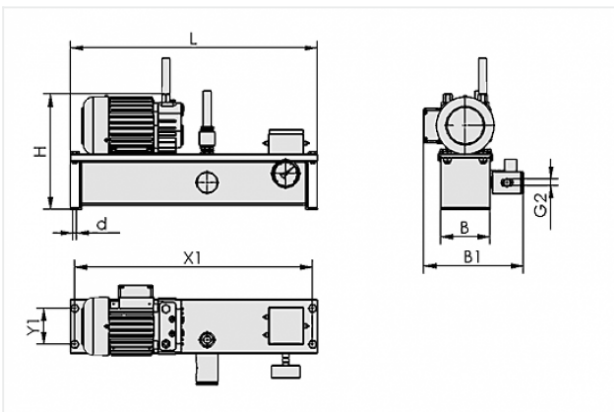
Homepage > Vacuum Technology for Automation > Vacuum Components > Vacuum Generators > Vacuum Centres > Vacuum Centres VZ > VZ-TR 4 AC 5 GMS

## Vacuum centre with oil-free pump and vacuum reservoir



Suction rate: 4 m<sup>3</sup>/h  
Voltage: 230 V, 50 Hz  
Reservoirs volume: 5 l  
with: Regulated engine circuit

### Design Data



| Attribute | Value |
|-----------|-------|
|-----------|-------|

|   |        |
|---|--------|
| B | 110 mm |
|---|--------|

|    |        |
|----|--------|
| B1 | 224 mm |
|----|--------|

|   |      |
|---|------|
| d | 9 mm |
|---|------|

|    |        |
|----|--------|
| G2 | G3/8-F |
|----|--------|

|   |        |
|---|--------|
| H | 272 mm |
|---|--------|

|   |        |
|---|--------|
| L | 550 mm |
|---|--------|

|    |        |
|----|--------|
| X1 | 530 mm |
|----|--------|

|    |       |
|----|-------|
| Y1 | 80 mm |
|----|-------|

### Technical Data

#### Contact to Schmalz

J. Schmalz GmbH | Johannes-Schmalz-Straße, 72293 Glatten, Deutschland | +49 7443 2403-102 | [customercenter@schmalz.de](mailto:customercenter@schmalz.de)

| Attribute         | Value        |
|-------------------|--------------|
| Vacuum (max)      | -850 mbar    |
| Voltage           | 230 V, 50 Hz |
| Motor power       | 0.18 kW      |
| Reservoirs volume | 5 l          |
| Protection        | IP 44        |
| Weight            | 17.5 kg      |
| Vacuum (max)      | -25.1 inHg   |

## Spare Parts



### **FILT-EINS 10 28x51 PAP VF-3/8**

Part no. 10.07.01.00014

Filter insert (round)

Filter pore size: 10 µm

External diameter D: 28 mm

Length L: 51 mm

Filter material: Paper

for: Filter VF

Size: 3/8