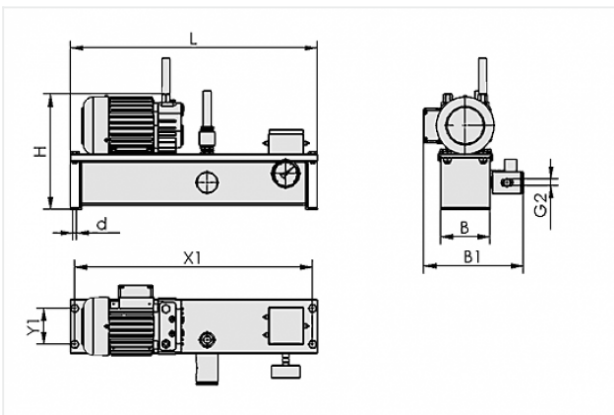


Vacuum centre with oil-free pump and vacuum reservoir



Suction rate: 4 m³/h
Voltage: 230 V, 50 Hz
Reservoirs volume: 5 l

Design Data



Attribute	Value
-----------	-------

B	110 mm
---	--------

B1	225 mm
----	--------

d	9 mm
---	------

G2	G3/8-F
----	--------

H	275 mm
---	--------

L	550 mm
---	--------

X1	530 mm
----	--------

Y1	80 mm
----	-------

Technical Data

Contact to Schmalz

Attribute	Value
Vacuum (max)	-850 mbar
Voltage	230 V, 50 Hz
Motor power	0.18 kW
Reservoirs volume	5 l
Protection	IP 54
Weight	17 kg
Vacuum (max)	-25.1 inHg

Spare Parts



FILT-EINS 10 28x51 PAP VF-3/8

Part no. 10.07.01.00014

Filter insert (round)

Filter pore size: 10 µm

External diameter D: 28 mm

Length L: 51 mm

Filter material: Paper

for: Filter VF

Size: 3/8