

# Vacuum reservoir

## VOL 200

<https://www.schmalz.com/10.03.03.00128>



Part no.: 10.03.03.00128

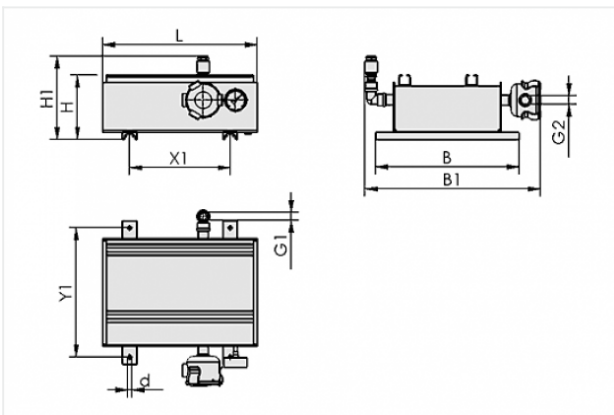
Homepage > Vacuum Technology for Automation > Vacuum Components > Vacuum Generators > Vacuum Reservoirs > Vacuum Reservoirs VOL  
> VOL 200

## Vacuum reservoir



Reservoirs volume: 200 l  
Height: 434 mm  
with: Manometer, valve, filter

## Design Data



Attribute	Value
-----------	-------

B	710 mm
B1	1015 mm
d	11 mm
G1	G2"-F
G2	G2-1/2"-F
H	434 mm
H1	495 mm
L	910 mm
X1	592 mm
Y1	670 mm

## Contact to Schmalz

J. Schmalz GmbH | Johannes-Schmalz-Straße, 72293 Glatten, Deutschland | +49 7443 2403-102 | [customercenter@schmalz.de](mailto:customercenter@schmalz.de)

## Technical Data

Attribute	Value
Reservoirs volume	200 l
Weight	97 kg

## Spare Parts



### **FILT-EINS 3 150x222 PAP STF-2-1/2-IG**

Part no. 10.07.01.00020

Filter insert (round)

Filter pore size: 3 µm

External diameter D: 150 mm

Length L: 222 mm

Filter material: Paper

for: Filters STF

Size: 2-1/2-IG