

# Vacuum reservoir VOL 100

<https://www.schmalz.com/10.03.03.00123>



Part no.: 10.03.03.00123

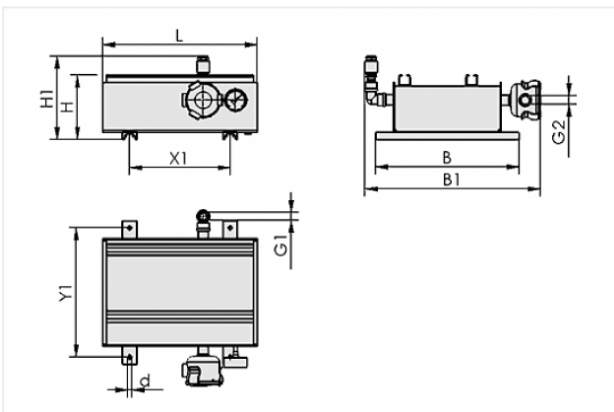
Homepage > Vacuum Technology for Automation > Vacuum Components > Vacuum Generators > Vacuum Reservoirs > Vacuum Reservoirs VOL  
> VOL 100

## Vacuum reservoir



Reservoirs volume: 100 l  
Height: 334 mm  
with: Manometer, valve, filter

## Design Data



Attribute	Value
-----------	-------

B	610 mm
---	--------

B1	750 mm
----	--------

d	11 mm
---	-------

G1	G1-1/4"-F
----	-----------

G2	G1-1/4"-F
----	-----------

H	334 mm
---	--------

H1	405 mm
----	--------

L	710 mm
---	--------

X1	480 mm
----	--------

Y1	570 mm
----	--------

## Contact to Schmalz

J. Schmalz GmbH | Johannes-Schmalz-Straße, 72293 Glatten, Deutschland | +49 7443 2403-102 | [customercenter@schmalz.de](mailto:customercenter@schmalz.de)

## Technical Data

Attribute	Value
Reservoirs volume	100 l
Weight	51 kg

## Spare Parts



### **FILT-EINS 3 98x70 PAP STF-1-1/4-IGN**

Part no. 10.07.01.00018

Filter insert (round)

Filter pore size: 3 µm

External diameter D: 98 mm

Length L: 70 mm

Filter material: Paper

for: Filters STF

Size: 1-1/4-IGN