

Vacuum reservoir

VOL 50

<https://www.schmalz.com/10.03.03.00118>



Part no.: 10.03.03.00118

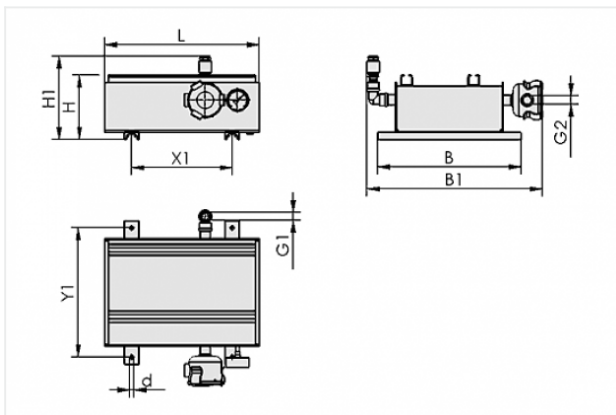
Homepage > Vacuum Technology for Automation > Vacuum Components > Vacuum Generators > Vacuum Reservoirs > Vacuum Reservoirs VOL
> VOL 50

Vacuum reservoir



Reservoirs volume: 50 l
Height: 235 mm
with: Manometer, valve, filter

Design Data



Attribute	Value
-----------	-------

B	510 mm
---	--------

B1	630 mm
----	--------

d	11 mm
---	-------

G1	G3/4"-F
----	---------

G2	G1-1/4"-F
----	-----------

H	235 mm
---	--------

H1	270 mm
----	--------

L	710 mm
---	--------

X1	480 mm
----	--------

Y1	470 mm
----	--------

Contact to Schmalz

J. Schmalz GmbH | Johannes-Schmalz-Straße, 72293 Glatten, Deutschland | +49 7443 2403-102 | customercenter@schmalz.de

Technical Data

Attribute	Value
Reservoirs volume	50 l
Weight	35.5 kg

Spare Parts



FILT-EINS 3 98x70 PAP STF-1-1/4-IGN

Part no. 10.07.01.00018

Filter insert (round)

Filter pore size: 3 µm

External diameter D: 98 mm

Length L: 70 mm

Filter material: Paper

for: Filters STF

Size: 1-1/4-IGN