

Vacuum reservoir

VOL 15

<https://www.schmalz.com/10.03.03.00113>



Part no.: 10.03.03.00113

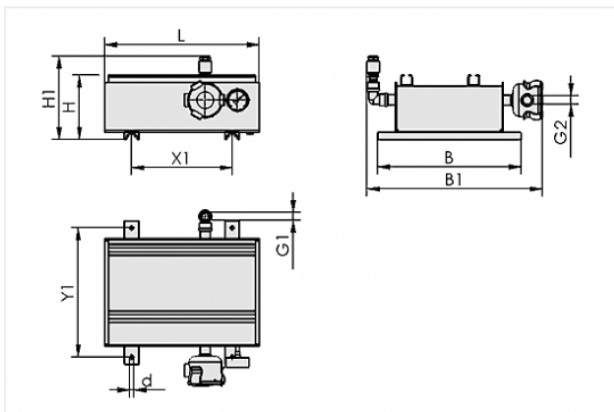
Homepage > Vacuum Technology for Automation > Vacuum Components > Vacuum Generators > Vacuum Reservoirs > Vacuum Reservoirs VOL
> VOL 15

Vacuum reservoir



Volume: 15 l
Height: 180 mm
with: Manometer, valve, filter

Design Data



Attribute	Value
-----------	-------

B	400 mm
---	--------

B1	495 mm
----	--------

d	11 mm
---	-------

G1	G1/2"-F
----	---------

G2	G3/4"-F
----	---------

H	180 mm
---	--------

H1	250 mm
----	--------

L	430 mm
---	--------

X1	280 mm
----	--------

Y1	360 mm
----	--------

Contact to Schmalz

J. Schmalz GmbH | Johannes-Schmalz-Straße, 72293 Glatten, Deutschland | +49 7443 2403-102 | customercenter@schmalz.de

Technical Data

Attribute	Value
Reservoirs volume	15 l
Weight	17.5 kg

Spare Parts



FILT-EINS 3 65x70 PAP STF-3/4-IG

Part no. 10.07.01.00017

Filter insert (round)

Filter pore size: 3 μ m

External diameter D: 65 mm

Length L: 70 mm

Filter material: Paper

for: Filters STF

Size: 3/4-IG