

# Vacuum reservoir VOL 5

<https://www.schmalz.com/10.03.03.00108>



Part no.: 10.03.03.00108

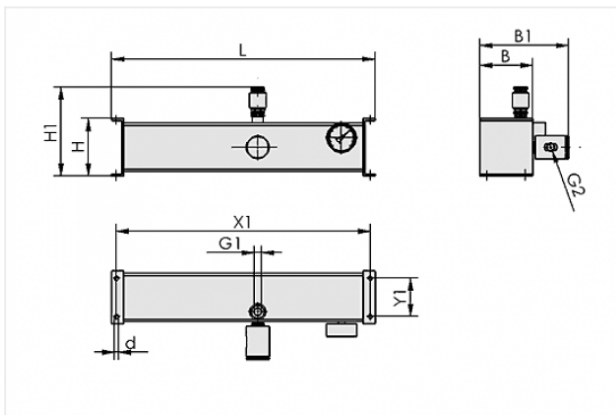
Homepage > Vacuum Technology for Automation > Vacuum Components > Vacuum Generators > Vacuum Reservoirs > Vacuum Reservoirs VOL  
> VOL 5

## Vacuum reservoir



Volume: 5 l  
Height: 120 mm  
with: Manometer, valve, filter

## Design Data



Attribute	Value
-----------	-------

B	110 mm
---	--------

B1	185 mm
----	--------

d	9 mm
---	------

G1	G3/8"-F
----	---------

G2	G3/8"-F
----	---------

H	120 mm
---	--------

H1	180 mm
----	--------

L	550 mm
---	--------

X1	530 mm
----	--------

Y1	80 mm
----	-------

## Contact to Schmalz

J. Schmalz GmbH | Johannes-Schmalz-Straße, 72293 Glatten, Deutschland | +49 7443 2403-102 | [customercenter@schmalz.de](mailto:customercenter@schmalz.de)

## Technical Data

Attribute	Value
Reservoirs volume	5 l
Weight	8 kg

## Spare Parts



### **FILT-EINS 10 28x51 PAP VF-3/8**

Part no. 10.07.01.00014

Filter insert (round)

Filter pore size: 10 µm

External diameter D: 28 mm

Length L: 51 mm

Filter material: Paper

for: Filter VF

Size: 3/8