

Vacuum blower

SGBL-FU 335-250-4-ER

Part no.: 10.04.01.00041

<https://www.schmalz.com/10.04.01.00041>



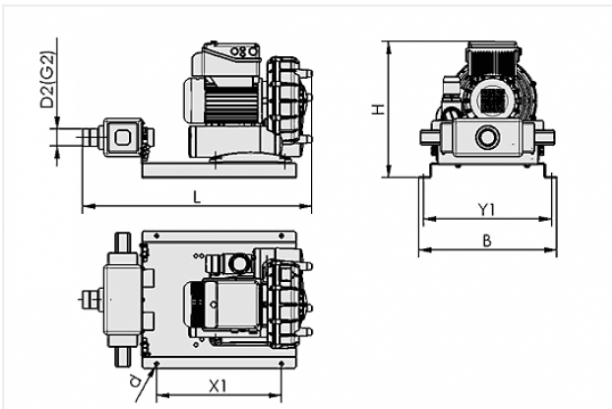
Homepage > Vacuum Technology for Automation > Vacuum Components > Vacuum Generators > Vacuum Blowers > Frequency-Regulated Vacuum Blowers SGBL-FU > SGBL-FU 335-250-4-ER

Frequency-regulated vacuum blower with continuously adjustable suction volume



Suction rate: 335 m³/h
Vacuum (max): -250 mbar
Voltage (50Hz): 400V ±10%
Rated power: 4.0 KW
with: Electro-pneumatic reversing
Weight: 35 kg

Design Data



Attribute	Value
-----------	-------

B	480 mm
---	--------

d	13 mm
---	-------

D2	60 mm
----	-------

G2	G2"-M
----	-------

H	475 mm
---	--------

L	800 mm
---	--------

X1	435 mm
----	--------

Y1	446 mm
----	--------

Technical Data

Contact to Schmalz

J. Schmalz GmbH | Johannes-Schmalz-Straße, 72293 Glatten, Deutschland | +49 7443 2403-102 | customercenter@schmalz.de



Attribute	Value
Suction rate at 100 Hz	335 m ³ /h
Vacuum (max)	-250 mbar
Voltage (50 Hz)	400V ±10%
Control voltage	24V-DC
Rated current (Y-connection)	7.4 A
Current consumption	320 A
Control pressure range	2.5 ... 3.0 bar
Rated power (100 Hz)	4 kW
Current type	AC3
Mains frequency	100 Hz
Weight	35 kg
Noise level (50 Hz)	72 dB
