

Vacuum blower

SGBL-FU 335-250-4

Part no.: 10.04.01.00040

<https://www.schmalz.com/10.04.01.00040>



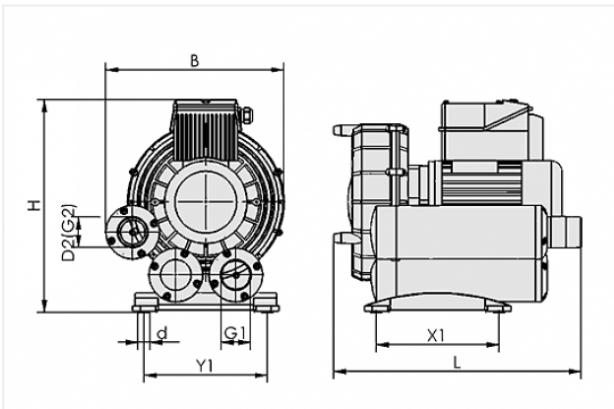
Homepage > Vacuum Technology for Automation > Vacuum Components > Vacuum Generators > Vacuum Blowers > Frequency-Regulated Vacuum Blowers SGBL-FU > SGBL-FU 335-250-4

Frequency-regulated vacuum blower with continuously adjustable suction volume



Suction rate: 335 m³/h
Vacuum (max): -250 mbar
Voltage (50Hz): 380-500V AC3
Rated power: 4.0 KW
Weight: 35 kg

Design Data



Attribute	Value
-----------	-------

B	350 mm
---	--------

d	12 mm
---	-------

D2	60 mm
----	-------

G1	G2"-F
----	-------

G2	G2"-M
----	-------

H	425 mm
---	--------

L	445 mm
---	--------

X1	240 mm
----	--------

Y1	240 mm
----	--------

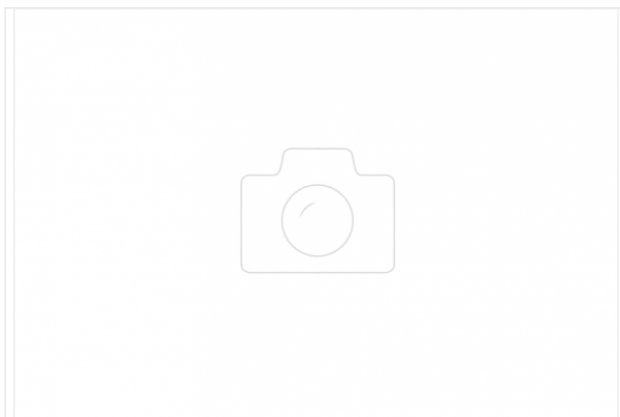
Contact to Schmalz

J. Schmalz GmbH | Johannes-Schmalz-Straße, 72293 Glatten, Deutschland | +49 7443 2403-102 | customercenter@schmalz.de

Technical Data

Attribute	Value
Suction rate at 100 Hz	335 m ³ /h
Vacuum (max)	-250 mbar
Voltage (50 Hz)	380-500V AC3
Rated current (Y-connection)	7.4 A
Rated power (100 Hz)	4 kW
Current type	AC3
Mains frequency	100 Hz
Weight	35 kg
Noise level (50 Hz)	72 dB

Accessories



SBB-661x586x558-ST/ABS-VZ-LUE

Part no. 10.04.04.00110

Silencer box for reduction of the noise level

Material: Steel/ABS

Surface: galvanised

with: Ventilator

Length L: 661 mm

Width B: 586 mm

Height H: 558 mm