

# Vacuum blower

## SGBL-FU 180-400-4-ER

Part no.: 10.04.02.00070

<https://www.schmalz.com/10.04.02.00070>



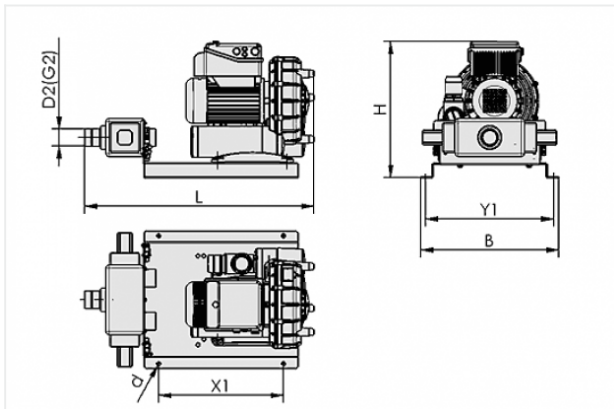
Homepage > Vacuum Technology for Automation > Vacuum Components > Vacuum Generators > Vacuum Blowers > Frequency-Regulated Vacuum Blowers SGBL-FU > SGBL-FU 180-400-4-ER

## Frequency-regulated vacuum blower with continuously adjustable suction volume



Suction rate: 180 m<sup>3</sup>/h  
Vacuum (max): -400 mbar  
Vacuum (short-time): -500 mbar  
Voltage (50Hz): 400V ±10%  
Rated power: 4.0 KW  
with: Electro-pneumatic reversing  
Weight: 48 kg

### Design Data



Attribute	Value
-----------	-------

B	480 mm
---	--------

d	13 mm
---	-------

D2	60 mm
----	-------

G2	G2-M
----	------

H	475 mm
---	--------

L	800 mm
---	--------

X1	435 mm
----	--------

Y1	446 mm
----	--------

### Technical Data

#### Contact to Schmalz

J. Schmalz GmbH | Johannes-Schmalz-Straße, 72293 Glatten, Deutschland | +49 7443 2403-102 | [customercenter@schmalz.de](mailto:customercenter@schmalz.de)



<b>Attribute</b>	<b>Value</b>
Suction rate at 100 Hz	180 m <sup>3</sup> /h
Vacuum (max)	-400 mbar
Voltage (50 Hz)	400V ±10%
Control voltage	24V-DC
Rated current (Y-connection)	7.4 A
Current consumption	320 A
Control pressure range	2.5 ... 3.0 bar
Rated power (100 Hz)	4 kW
Current type	AC3
Mains frequency	100 Hz
Weight	48 kg
Noise level (50 Hz)	72 dB

---

---