

Vacuum blower

SGBL-DG-490-370-7.5-ER

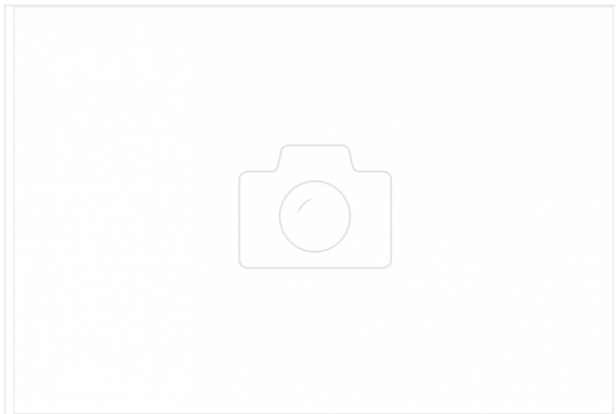
<https://www.schmalz.com/10.04.02.00055>



Part no.: 10.04.02.00055

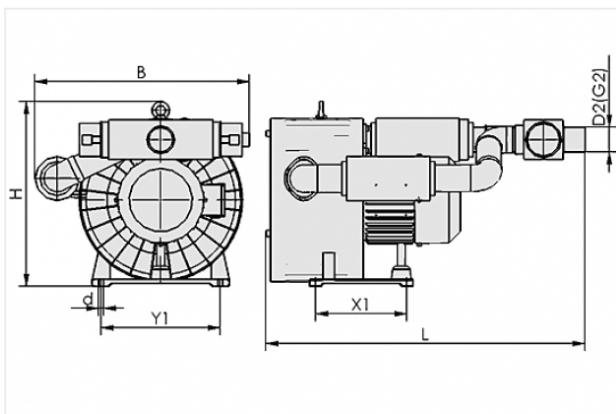
Homepage > Vacuum Technology for Automation > Vacuum Components > Vacuum Generators > Vacuum Blowers > Vacuum Blowers SGBL-DG with Electro-Pneumatic Reversing > SGBL-DG-490-370-7.5-ER

Directly driven vacuum blower for high suction volume



Vacuum (max): -370 mbar
Suction rate: 490 m³/h
Noise level (50 Hz): 79 dB
Voltage (50 Hz): 345-415V or 690V
Voltage (60 Hz): 380-480V
Rated power (50 Hz): 7.5 kW
Rated power (60 Hz): 8.6 kW
Protection: IP 55
Diameter vacuum connection: 76 mm
Vacuum connection: G2-1/2-M
Weight: 200 kg

Design Data



Attribute	Value
-----------	-------

B	656 mm
d	15 mm
D2	76 mm
G2	G2-1/2"-M
H	567 mm
L	1200 mm
X1	280 mm
Y1	365 mm

Contact to Schmalz

J. Schmalz GmbH | Johannes-Schmalz-Straße, 72293 Glatten, Deutschland | +49 7443 2403-102 | customercenter@schmalz.de

Technical Data

Attribute	Value
Suction rate (50 Hz)	490 m ³ /h
Vacuum (max)	-370 mbar
Voltage (delta connection)	400 V
Voltage (Y-connection)	690 V
Rated current (delta connection)	16.7 A
Rated current (Y-connection)	9.6 A
Current type	AC3
Rated power (50 Hz)	7.5 kW
Control voltage	24V-DC
Current consumption	0.32 A
Control pressure range	2.0 ... 8.0 bar
Mains frequency	50 Hz
Protection	IP 55
Weight	200 kg
Noise level (50 Hz)	79 dB
Vacuum (max)	-10.926 inHg

Accessories

Contact to Schmalz



MSS-K 16-20A

Part no. 10.04.04.00125

Motor-protection switch with housing

Current range: 16.0 ... 20.0 A

Actuation: Rotary switch

Colour: grey

Protection: IP 65



STF G2-AG N G2-AG

Part no. 10.07.01.00231

Dust filter

Connection: G2-M

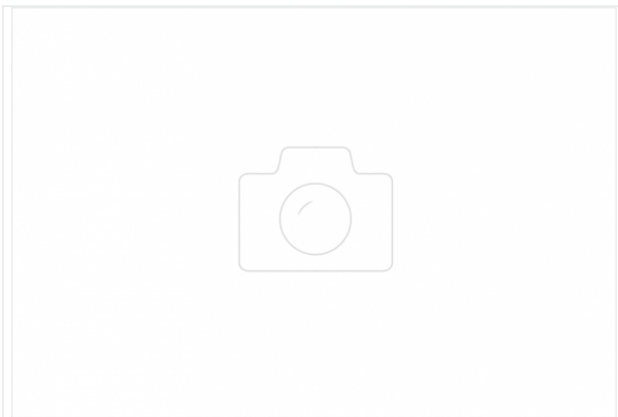
Shape: Steel housing

Nominal flow rate: 360 m³/h

Filter pore size: 3 µm

Additional equipment:

Connecting piece G2-M



SBB-ST

Part no. 10.04.04.00061

Silencer box for reduction of the noise level

Material: Steel