

Vacuum blower

SGBL-DG-310-360-4-ER

<https://www.schmalz.com/10.04.02.00054>



Part no.: 10.04.02.00054

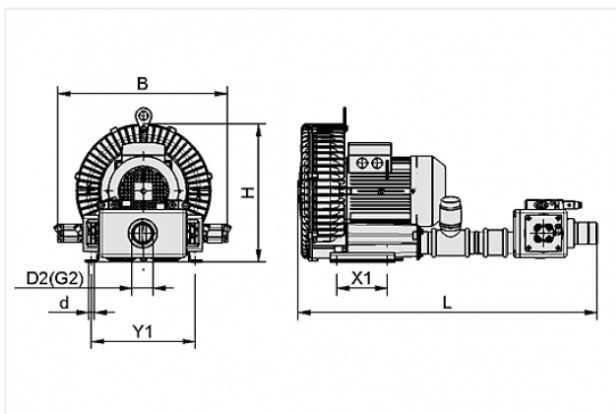
Homepage > Vacuum Technology for Automation > Vacuum Components > Vacuum Generators > Vacuum Blowers > Vacuum Blowers SGBL-DG with Electro-Pneumatic Reversing > SGBL-DG-310-360-4-ER

Directly driven vacuum blower for high suction volume



Vacuum (max): -360 mbar
Suction rate: 310 m³/h
Noise level (50 Hz): 79 dB
Voltage (50 Hz): 345-415V or 690V
Voltage (60 Hz): 440-480V
Rated power (50 Hz): 4 kW
Rated power (60 Hz): 4.8 kW
Protection: IP 55
Diameter vacuum connection: 60 mm
Vacuum connection: G2-M
Weight: 65.8 kg

Design Data



Attribute	Value
-----------	-------

B	612 mm
---	--------

d	15 mm
---	-------

D2	60 mm
----	-------

G2	G2"-M
----	-------

H	420 mm
---	--------

L	859 mm
---	--------

X1	140 mm
----	--------

Y1	290 mm
----	--------

Contact to Schmalz

J. Schmalz GmbH | Johannes-Schmalz-Straße, 72293 Glatten, Deutschland | +49 7443 2403-102 | customercenter@schmalz.de

Technical Data

Attribute	Value
Suction rate (50 Hz)	310 m ³ /h
Vacuum (max)	-360 mbar
Voltage (delta connection)	400 V
Voltage (Y-connection)	690 V
Rated current (delta connection)	9.5 A
Rated current (Y-connection)	5.5 A
Current type	AC3
Rated power (50 Hz)	4 kW
Control voltage	24V-DC
Current consumption	0.32 A
Control pressure range	2.0 ... 8.0 bar
Mains frequency	50 Hz
Protection	IP 55
Weight	65.8 kg
Noise level (50 Hz)	79 dB
Vacuum (max)	-10.63 inHg

Accessories

Contact to Schmalz



MSS-K 8-12A

Part no. 10.04.04.00123

Motor-protection switch with housing

Current range: 8.0 ... 12.0 A

Actuation: Rotary switch

Colour: grey

Protection: IP 65



STF G2-AG N G2-AG

Part no. 10.07.01.00231

Dust filter

Connection: G2-M

Shape: Steel housing

Nominal flow rate: 360 m³/h

Filter pore size: 3 µm

Additional equipment:

Connecting piece G2-M