

Vacuum blower

SGBL-DG-155-400-3-ER

Part no.: 10.04.02.00071

<https://www.schmalz.com/10.04.02.00071>



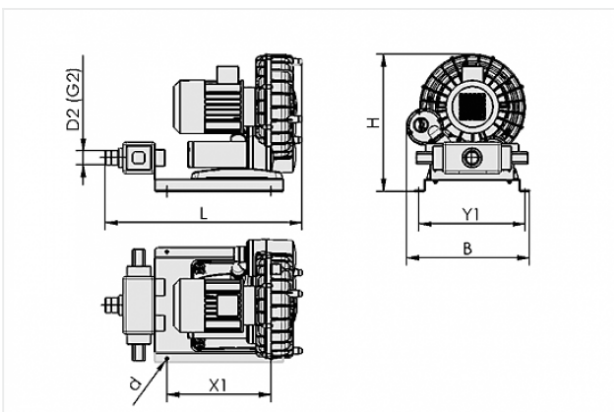
Homepage > Vacuum Technology for Automation > Vacuum Components > Vacuum Generators > Vacuum Blowers > Vacuum Blowers SGBL-DG with Electro-Pneumatic Reversing > SGBL-DG-155-400-3-ER

Directly driven vacuum blower for high suction volume



Vacuum (max): -400 mbar
Vacuum (short-time): -500 mbar
Suction rate: 155 m³/h
Noise level (50 Hz): 66 dB
Voltage (50 Hz): 190-255V or 330-440V
Voltage (60 Hz): 190-290V or 330-500V
Rated power (50 Hz): 3 kW
Rated power (60 Hz): 3.6 kW
Protection: IP 55
Diameter vacuum connection: 60 mm
Vacuum connection: G2-M
Weight: 51.5 kg

Design Data



Attribute	Value
-----------	-------

B	520 mm
d	13 mm
D2	60 mm
G2	G2"-M
H	500 mm
L	790 mm
X1	435 mm
Y1	446 mm

Contact to Schmalz

J. Schmalz GmbH | Johannes-Schmalz-Straße, 72293 Glatten, Deutschland | +49 7443 2403-102 | customercenter@schmalz.de

Technical Data

Attribute	Value
Suction rate (50 Hz)	155 m ³ /h
Vacuum (max)	-400 mbar
Voltage (delta connection)	230 V
Voltage (Y-connection)	400 V
Rated current (delta connection)	12 A
Rated current (Y-connection)	7 A
Current type	AC3
Rated power (50 Hz)	3 kW
Control voltage	24V-DC
Current consumption	0.32 A
Control pressure range	2.0 ... 8.0 bar
Mains frequency	50 Hz
Protection	IP 55
Weight	51.5 kg
Noise level (50 Hz)	66 dB
Vacuum (max)	-11.812 inHg

Spare Parts

Contact to Schmalz



SGBL-DG-155-400-3

Part no. 10.04.02.00067

Directly driven vacuum blower for high suction volume

Vacuum (max): -400 mbar

Vacuum (short-time): -500 mbar

Suction rate: 155 m³/h

Noise level (50 Hz): 76 dB

Voltage (50 Hz): 190-255V or 330-440V

Voltage (60 Hz): 190-290V or 330-500V

Rated power (50 Hz): 3 kW

Rated power (60 Hz): 3.6 kW

Protection: IP 55

Diameter vacuum connection: 60 mm

Vacuum connection: G2-M

Weight: 46.5 kg

Accessories



MSS-K 6.3-10A

Part no. 10.04.04.00122

Motor-protection switch with housing

Current range: 6.3 ... 10.0 A

Actuation: Rotary switch

Colour: grey

Protection: IP 65



STF G2-AG N G2-AG

Part no. 10.07.01.00231

Dust filter

Connection: G2-M

Shape: Steel housing

Nominal flow rate: 360 m³/h

Filter pore size: 3 µm

Additional equipment:

Connecting piece G2-M