

Dust filter

STF 75 P 8.0 SSD

Part no.: 10.07.01.00263

<https://www.schmalz.com/10.07.01.00263>



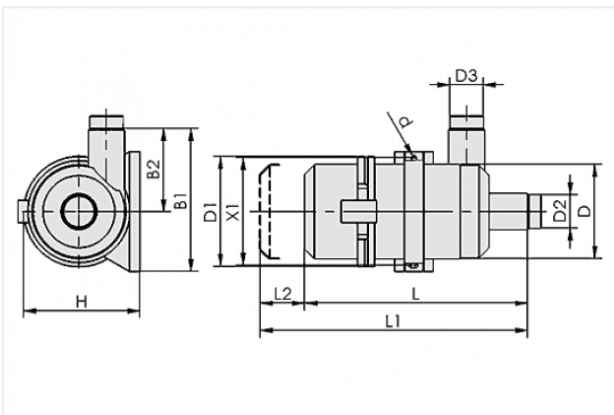
Homepage > Vacuum Technology for Automation > Vacuum Components > Filters and Connections > Vacuum Filters > Vacuum Filters VF / STF / STF-D > STF 75 P 8.0 SSD

Dust filter



Connection: Ø75mm
Shape: Piclon housing
Nominal flow rate: 480 m³/h
Filter pore size: 3 µm
Additional equipment: Hose clamps SSD

Design Data



Attribute	Value
-----------	-------

B1	280 mm
----	--------

B2	148 mm
----	--------

d	8.5 mm
---	--------

D	228 mm
---	--------

D1	248 mm
----	--------

D2	75 mm
----	-------

D3	75 mm
----	-------

H	260 mm
---	--------

L	415 mm
---	--------

L1	774 mm
----	--------

L2	359 mm
----	--------

X1	237 mm
----	--------

Contact to Schmalz

J. Schmalz GmbH | Johannes-Schmalz-Straße, 72293 Glatten, Deutschland | +49 7443 2403-102 | customercenter@schmalz.de

Technical Data

Attribute	Value
Connection	Ø75mm
Nominal flow rate	480 m³/h
Nominal flow rate	8000 l/min
Vacuum (max)	-500 mbar
Filter pore size	3 µm
Weight	2.6 kg

Spare Parts



SSD 76.5-84 ST-VZ

Part no. 10.07.10.00037

Hose clamp for securing wire-reinforced hoses

Clamping range: 76.5 ... 84.0 mm

Material: Steel

Surface: galvanised



FILT-EINS 3 159x376 STF-Picl-8

Part no. 10.07.01.00079

Filter insert (round)

Filter pore size: 3 µm

External diameter D: 159 mm

Length L: 376 mm

Type: 480m³/h

for: Filters STF

Size: Picl-8