

Vacuum blower

SB 1050 290 11 IE3-TYP1

<https://www.schmalz.com/10.04.01.00084>



Part no.: 10.04.01.00084

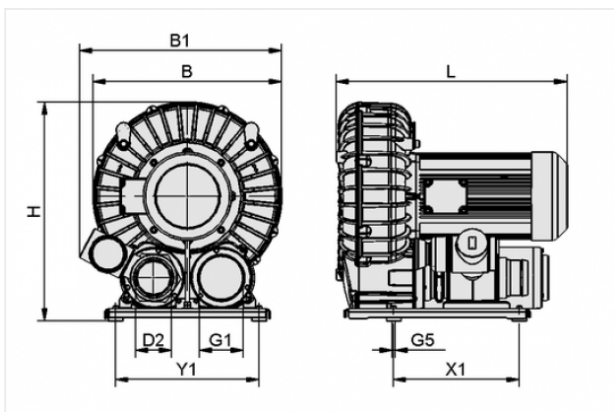
Homepage > Vacuum Technology for Automation > Vacuum Components > Vacuum Generators > Vacuum Blowers > Vacuum Blowers SB > SB 1050 290 11 IE3-TYP1

Vacuum Blower for high suction rate



Suction rate (50 Hz): 1050 m³/h
Suction rate (60 Hz): 1250 m³/h
Vacuum (50Hz): 290 mbar
Vacuum (60Hz): 270 mbar
Rated power (50 Hz): 11 kW
Rated power (60 Hz): 13.2 kW
Construction: IE3:EU/CN/IND
Noise level (50 Hz): 75 dB
Voltage (50 Hz): D400V ±10
Voltage (60 Hz): D460V ±10%
Permission: IE3/UL/CSA
Weight: 125 kg

Design Data



Attribute	Value
-----------	-------

B	525 mm
B1	563 mm
D2	98 mm
G1	G4"-F
G5	M8-F
H	611 mm
L	643 mm
X1	350 mm
Y1	400 mm

Contact to Schmalz

J. Schmalz GmbH | Johannes-Schmalz-Straße, 72293 Glatten, Deutschland | +49 7443 2403-102 | customercenter@schmalz.de

Technical Data

Attribute	Value
Suction rate (50 Hz)	1050 m ³ /h
Suction rate (50 Hz)	17,499.9 l/min
Suction rate (60 Hz)	1250 m ³ /h
Suction rate (60 Hz)	20,833.2 l/min
Vacuum (50Hz)	290 mbar
Vacuum (60Hz)	270 mbar
Protection	IP 55
Rated power (50 Hz)	11 kW
Rated power (60 Hz)	13.2 kW
Noise level (50 Hz)	75 dB
Noise level (60 Hz)	79 dB
Weight	125 kg

Contact to Schmalz