

# Vacuum blower

## SB 610 390 13.2 IE3-TYP2

Part no.: 10.04.01.00101

<https://www.schmalz.com/10.04.01.00101>



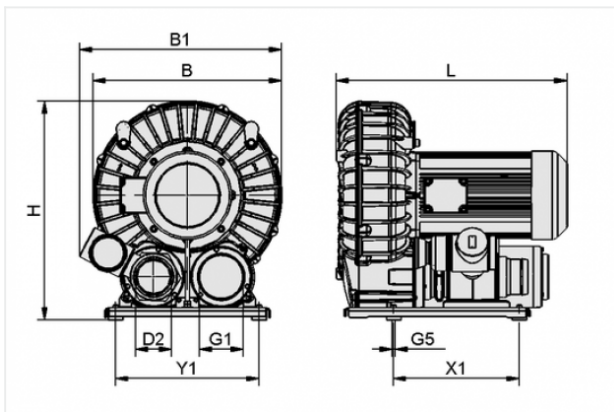
Homepage > Vacuum Technology for Automation > Vacuum Components > Vacuum Generators > Vacuum Blowers > Vacuum Blowers SB > SB 610 390 13.2 IE3-TYP2

### Vacuum Blower for high suction rate



Suction rate (60 Hz): 610 m<sup>3</sup>/h  
Vacuum (60Hz): 390 mbar  
Rated power (60 Hz): 13.2 kW  
Construction: IE3:US/CAN  
Voltage (60 Hz): YY230/Y460V ±10%  
Permission: IE3/UL/CSA  
Weight: 125 kg

### Design Data



Attribute	Value
-----------	-------

B	525 mm
---	--------

B1	563 mm
----	--------

D2	98 mm
----	-------

G1	G4"-F
----	-------

G5	M8-F
----	------

H	611 mm
---	--------

L	643 mm
---	--------

X1	350 mm
----	--------

Y1	400 mm
----	--------

### Contact to Schmalz

J. Schmalz GmbH | Johannes-Schmalz-Straße, 72293 Glatten, Deutschland | +49 7443 2403-102 | [customercenter@schmalz.de](mailto:customercenter@schmalz.de)

## Technical Data

Attribute	Value
Suction rate (60 Hz)	610 m <sup>3</sup> /h
Suction rate (60 Hz)	10,166.6 l/min
Vacuum (60Hz)	390 mbar
Protection	IP 55
Rated power (60 Hz)	13.2 kW
Noise level (60 Hz)	78 dB
Weight	125 kg

## Accessories



### STF 110 P 12 SSB

Part no. 10.07.01.00360

Dust filter

Connection: Ø110mm

Shape: Piclon housing

Nominal flow rate: 720 m<sup>3</sup>/h

Filter pore size: 3 µm

Additional equipment: Hose clamps SSB