

Vacuum blower

SB 520 390 11 IE3-TYP1

<https://www.schmalz.com/10.04.01.00099>



Part no.: 10.04.01.00099

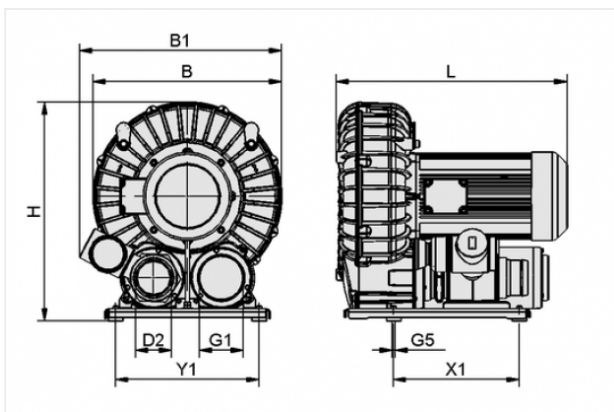
Homepage > Vacuum Technology for Automation > Vacuum Components > Vacuum Generators > Vacuum Blowers > Vacuum Blowers SB > SB 520 390 11 IE3-TYP1

Vacuum Blower for high suction rate



Suction rate (50 Hz): 520 m³/h
 Suction rate (60 Hz): 610 m³/h
 Vacuum (50Hz): 390 mbar
 Vacuum (60Hz): 390 mbar
 Rated power (50 Hz): 11 kW
 Rated power (60 Hz): 13.2 kW
 Construction: IE3:EU/CN/IND
 Noise level (50 Hz): 74 dB
 Voltage (50 Hz): D400V ±10
 Voltage (60 Hz): D460V ±10%
 Permission: IE3/UL/CSA
 Weight: 125 kg

Design Data



Attribute	Value
B	525 mm
B1	563 mm
D2	98 mm
G1	G4"-F
G5	M8-F
H	611 mm
L	643 mm
X1	350 mm
Y1	400 mm

Contact to Schmalz

J. Schmalz GmbH | Johannes-Schmalz-Straße, 72293 Glatten, Deutschland | +49 7443 2403-102 | customercenter@schmalz.de

Technical Data

Attribute	Value
Suction rate (50 Hz)	520 m ³ /h
Suction rate (50 Hz)	8,666.6 l/min
Suction rate (60 Hz)	610 m ³ /h
Suction rate (60 Hz)	10,166.6 l/min
Vacuum (50Hz)	390 mbar
Vacuum (60Hz)	390 mbar
Protection	IP 55
Rated power (50 Hz)	11 kW
Rated power (60 Hz)	13.2 kW
Noise level (50 Hz)	74 dB
Noise level (60 Hz)	78 dB
Weight	125 kg

Accessories



STF 110 P 12 SSB

Part no. 10.07.01.00360

Dust filter

Connection: Ø110mm

Shape: Piclon housing

Nominal flow rate: 720 m³/h

Filter pore size: 3 µm

Additional equipment: Hose clamps SSB