

Vacuum blower

SB 900 280 9 IE3-TYP2

<https://www.schmalz.com/10.04.01.00083>



Part no.: 10.04.01.00083

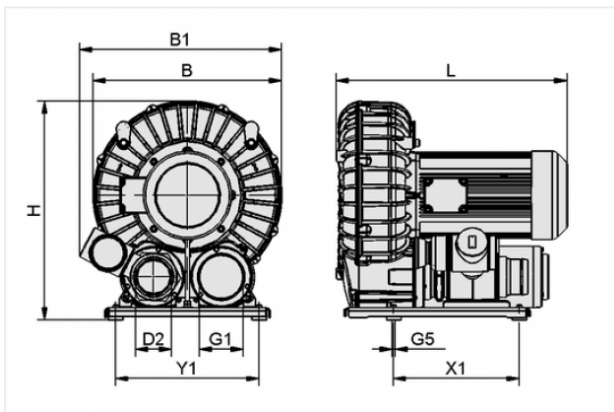
Homepage > Vacuum Technology for Automation > Vacuum Components > Vacuum Generators > Vacuum Blowers > Vacuum Blowers SB > SB 900 280 9 IE3-TYP2

Vacuum Blower for high suction rate



Suction rate (60 Hz): 900 m³/h
Vacuum (60Hz): 280 mbar
Rated power (60 Hz): 9 kW
Construction: IE3:US/CAN
Voltage (60 Hz): YY230/Y460V ±10%
Permission: IE3/UL/CSA
Weight: 112 kg

Design Data



Attribute	Value
-----------	-------

B	496 mm
---	--------

B1	548 mm
----	--------

D2	98 mm
----	-------

G1	G4"-F
----	-------

G5	M8-F
----	------

H	596 mm
---	--------

L	614 mm
---	--------

X1	350 mm
----	--------

Y1	400 mm
----	--------

Contact to Schmalz

J. Schmalz GmbH | Johannes-Schmalz-Straße, 72293 Glatten, Deutschland | +49 7443 2403-102 | customercenter@schmalz.de



Technical Data

Attribute	Value
Suction rate (60 Hz)	900 m ³ /h
Suction rate (60 Hz)	14,999.9 l/min
Vacuum (60Hz)	280 mbar
Protection	IP 55
Rated power (60 Hz)	9 kW
Noise level (60 Hz)	73 dB
Weight	112 kg

Contact to Schmalz