

Vacuum blower

SB 750 300 7.5 IE3-TYP3

<https://www.schmalz.com/10.04.01.00082>



Part no.: 10.04.01.00082

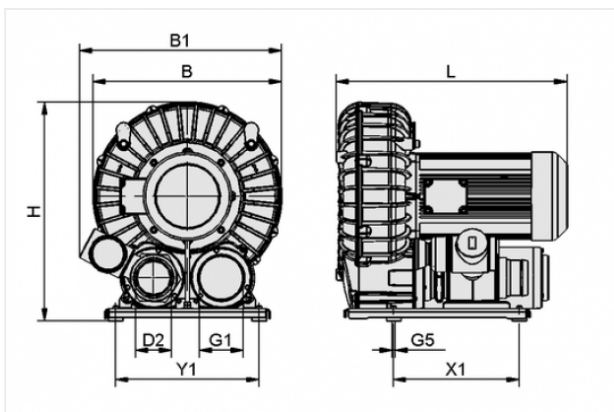
Homepage > Vacuum Technology for Automation > Vacuum Components > Vacuum Generators > Vacuum Blowers > Vacuum Blowers SB > SB 750 300 7.5 IE3-TYP3

Vacuum Blower for high suction rate



Suction rate (50 Hz): 750 m³/h
Suction rate (60 Hz): 900 m³/h
Vacuum (50Hz): 300 mbar
Vacuum (60Hz): 280 mbar
Rated power (50 Hz): 7.5 kW
Rated power (60 Hz): 9 kW
Construction: IE3:JPN/KOR/BRA
Noise level (50 Hz): 72 dB
Voltage (50 Hz): D200V/Y350V ±10 %
Voltage (60 Hz): D220V/Y380-400V ±10%
Permission: IE3
Weight: 112 kg

Design Data



Attribute	Value
-----------	-------

B	496 mm
B1	548 mm
D2	98 mm
G1	G4"-F
G5	M8-F
H	596 mm
L	614 mm
X1	350 mm
Y1	400 mm

Contact to Schmalz

J. Schmalz GmbH | Johannes-Schmalz-Straße, 72293 Glatten, Deutschland | +49 7443 2403-102 | customercenter@schmalz.de

Technical Data

Attribute	Value
Suction rate (50 Hz)	750 m ³ /h
Suction rate (50 Hz)	12,499.9 l/min
Suction rate (60 Hz)	900 m ³ /h
Suction rate (60 Hz)	14,999.9 l/min
Vacuum (50Hz)	300 mbar
Vacuum (60Hz)	280 mbar
Protection	IP 55
Rated power (50 Hz)	7.5 kW
Rated power (60 Hz)	9 kW
Noise level (50 Hz)	72 dB
Noise level (60 Hz)	73 dB
Weight	112 kg
