

# Vacuum blower

## SB 750 300 7.5 IE3-TYP1

Part no.: 10.04.01.00081

<https://www.schmalz.com/10.04.01.00081>



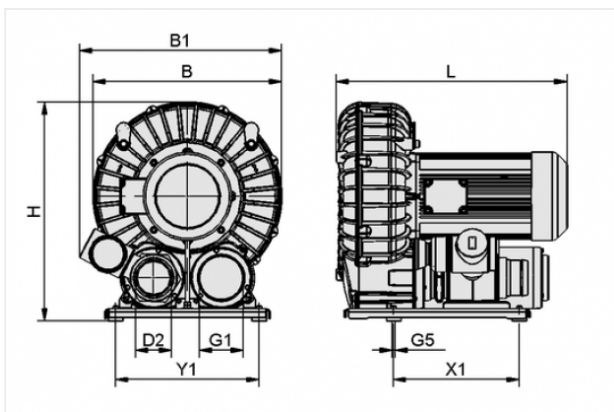
Homepage > Vacuum Technology for Automation > Vacuum Components > Vacuum Generators > Vacuum Blowers > Vacuum Blowers SB > SB 750 300 7.5 IE3-TYP1

## Vacuum Blower for high suction rate



Suction rate (50 Hz): 750 m<sup>3</sup>/h  
Suction rate (60 Hz): 900 m<sup>3</sup>/h  
Vacuum (50Hz): 300 mbar  
Vacuum (60Hz): 280 mbar  
Rated power (50 Hz): 7.5 kW  
Rated power (60 Hz): 9 kW  
Construction: IE3:EU/CN/IND  
Noise level (50 Hz): 72 dB  
Voltage (50 Hz): D400V ±10  
Voltage (60 Hz): D460V ±10%  
Permission: IE3/UL/CSA  
Weight: 112 kg

## Design Data



| Attribute | Value |
|-----------|-------|
|-----------|-------|

|   |        |
|---|--------|
| B | 496 mm |
|---|--------|

|    |        |
|----|--------|
| B1 | 548 mm |
|----|--------|

|    |       |
|----|-------|
| D2 | 98 mm |
|----|-------|

|    |       |
|----|-------|
| G1 | G4"-F |
|----|-------|

|    |      |
|----|------|
| G5 | M8-F |
|----|------|

|   |        |
|---|--------|
| H | 596 mm |
|---|--------|

|   |        |
|---|--------|
| L | 614 mm |
|---|--------|

|    |        |
|----|--------|
| X1 | 350 mm |
|----|--------|

|    |        |
|----|--------|
| Y1 | 400 mm |
|----|--------|

## Contact to Schmalz

J. Schmalz GmbH | Johannes-Schmalz-Straße, 72293 Glatten, Deutschland | +49 7443 2403-102 | [customercenter@schmalz.de](mailto:customercenter@schmalz.de)

## Technical Data

| Attribute            | Value                 |
|----------------------|-----------------------|
| Suction rate (50 Hz) | 750 m <sup>3</sup> /h |
| Suction rate (50 Hz) | 12,499.9 l/min        |
| Suction rate (60 Hz) | 900 m <sup>3</sup> /h |
| Suction rate (60 Hz) | 14,999.9 l/min        |
| Vacuum (50Hz)        | 300 mbar              |
| Vacuum (60Hz)        | 280 mbar              |
| Protection           | IP 55                 |
| Rated power (50 Hz)  | 7.5 kW                |
| Rated power (60 Hz)  | 9 kW                  |
| Noise level (50 Hz)  | 72 dB                 |
| Noise level (60 Hz)  | 73 dB                 |
| Weight               | 112 kg                |

### Contact to Schmalz