

Vacuum blower

SB 440 360 6.6 IE3-TYP2

<https://www.schmalz.com/10.04.01.00098>



Part no.: 10.04.01.00098

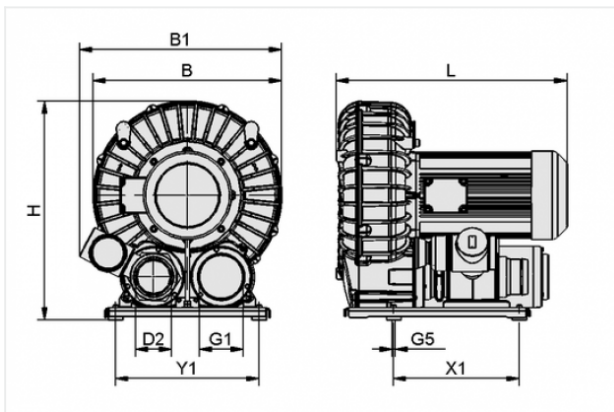
Homepage > Vacuum Technology for Automation > Vacuum Components > Vacuum Generators > Vacuum Blowers > Vacuum Blowers SB > SB 440 360 6.6 IE3-TYP2

Vacuum Blower for high suction rate



Suction rate (60 Hz): 440 m³/h
Vacuum (60Hz): 360 mbar
Rated power (60 Hz): 6.6 kW
Construction: IE3:US/CAN
Voltage (60 Hz): YY230/Y460V ±10%
Permission: IE3/UL/CSA
Weight: 89 kg

Design Data



Attribute	Value
-----------	-------

B	496 mm
---	--------

B1	535 mm
----	--------

D2	75 mm
----	-------

G1	G4"-F
----	-------

G5	M8-F
----	------

H	596 mm
---	--------

L	563 mm
---	--------

X1	350 mm
----	--------

Y1	400 mm
----	--------

Contact to Schmalz

J. Schmalz GmbH | Johannes-Schmalz-Straße, 72293 Glatten, Deutschland | +49 7443 2403-102 | customercenter@schmalz.de

Technical Data

Attribute	Value
Suction rate (60 Hz)	440 m ³ /h
Suction rate (60 Hz)	7,333.3 l/min
Vacuum (60Hz)	360 mbar
Protection	IP 55
Rated power (60 Hz)	6.6 kW
Noise level (60 Hz)	74 dB
Weight	89 kg

Accessories



STF 110 P 12 SSB

Part no. 10.07.01.00360

Dust filter

Connection: Ø110mm

Shape: Piclon housing

Nominal flow rate: 720 m³/h

Filter pore size: 3 µm

Additional equipment: Hose clamps SSB