

Dust filter

STF 110 P 12 SSB

Part no.: 10.07.01.00360

<https://www.schmalz.com/10.07.01.00360>



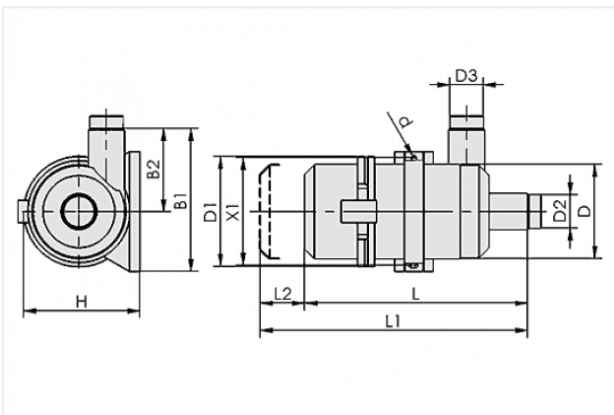
Homepage > Vacuum Technology for Automation > Vacuum Components > Filters and Connections > Vacuum Filters > Vacuum Filters VF / STF / STF-D > STF 110 P 12 SSB

Dust filter



Connection: Ø110mm
Shape: Piclon housing
Nominal flow rate: 720 m³/h
Filter pore size: 3 µm
Additional equipment: Hose clamps SSB

Design Data



Attribute	Value
-----------	-------

B1	369 mm
----	--------

B2	214 mm
----	--------

d	8.5 mm
---	--------

D	264 mm
---	--------

D1	288 mm
----	--------

D2	100 mm
----	--------

D3	102 mm
----	--------

H	335 mm
---	--------

L	445 mm
---	--------

L1	829 mm
----	--------

L2	384 mm
----	--------

X1	280 mm
----	--------

Contact to Schmalz

J. Schmalz GmbH | Johannes-Schmalz-Straße, 72293 Glatten, Deutschland | +49 7443 2403-102 | customercenter@schmalz.de

Technical Data

Attribute	Value
Connection	Ø110mm
Nominal flow rate	720 m ³ /h
Nominal flow rate	12000 l/min
Filter pore size	3 µm
Weight	3.8 kg

Spare Parts



FILT-EINS 190x390 PAP STF-Picl-12

Part no. 10.07.01.00361

Filter insert (round)

External diameter D: 190 mm

Length L: 390 mm

Type: 720m³/h

Filter material: Paper

for: Filters STF

Size: Picl-12