

Vacuum blower

SB 370 390 5.5 IE3-TYP1

<https://www.schmalz.com/10.04.01.00096>



Part no.: 10.04.01.00096

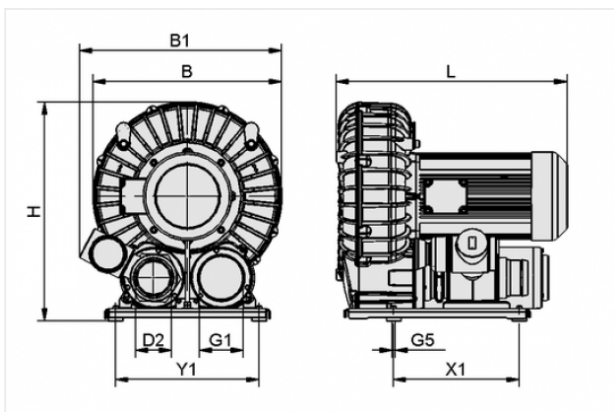
Homepage > Vacuum Technology for Automation > Vacuum Components > Vacuum Generators > Vacuum Blowers > Vacuum Blowers SB > SB 370 390 5.5 IE3-TYP1

Vacuum Blower for high suction rate



Suction rate (50 Hz): 370 m³/h
Suction rate (60 Hz): 440 m³/h
Vacuum (50Hz): 390 mbar
Vacuum (60Hz): 360 mbar
Rated power (50 Hz): 5.5 kW
Rated power (60 Hz): 6.6 kW
Construction: IE3:EU/CN/IND
Noise level (50 Hz): 70 dB
Voltage (50 Hz): D400V/Y690V ±10%
Voltage (60 Hz): D460V ±10%
Permission: IE3/UL/CSA
Weight: 89 kg

Design Data



Attribute	Value
-----------	-------

B	496 mm
B1	535 mm
D2	75 mm
G1	G4"-F
G5	M8-F
H	596 mm
L	563 mm
X1	350 mm
Y1	400 mm

Contact to Schmalz

J. Schmalz GmbH | Johannes-Schmalz-Straße, 72293 Glatten, Deutschland | +49 7443 2403-102 | customercenter@schmalz.de

Technical Data

Attribute	Value
Suction rate (50 Hz)	370 m ³ /h
Suction rate (50 Hz)	6,166.6 l/min
Suction rate (60 Hz)	440 m ³ /h
Suction rate (60 Hz)	7,333.3 l/min
Vacuum (50Hz)	390 mbar
Vacuum (60Hz)	360 mbar
Protection	IP 55
Rated power (50 Hz)	5.5 kW
Rated power (60 Hz)	6.6 kW
Noise level (50 Hz)	70 dB
Noise level (60 Hz)	74 dB
Weight	89 kg

Accessories



STF 110 P 12 SSB

Part no. 10.07.01.00360

Dust filter

Connection: Ø110mm

Shape: Piclon housing

Nominal flow rate: 720 m³/h

Filter pore size: 3 µm

Additional equipment: Hose clamps SSB