

Vacuum blower

SB 610 175 4.8 IE3-TYP2

Part no.: 10.04.01.00080

<https://www.schmalz.com/10.04.01.00080>



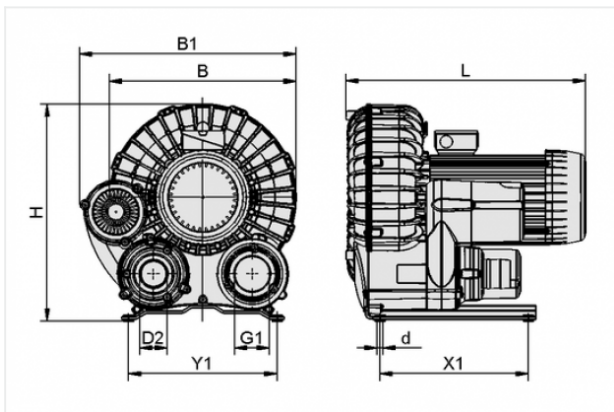
Homepage > Vacuum Technology for Automation > Vacuum Components > Vacuum Generators > Vacuum Blowers > Vacuum Blowers SB > SB 610 175 4.8 IE3-TYP2

Vacuum Blower for high suction rate



Suction rate (60 Hz): 610 m³/h
Vacuum (60Hz): 175 mbar
Rated power (60 Hz): 4.8 kW
Construction: IE3:US/CAN
Voltage (60 Hz): YY230/Y460V ±10%
Permission: IE3/UL/CSA
Weight: 61.5 kg

Design Data



Attribute	Value
-----------	-------

B	474 mm
---	--------

B1	496 mm
----	--------

d	12 mm
---	-------

D2	75 mm
----	-------

G1	G2-1/2"-F
----	-----------

H	523 mm
---	--------

L	496 mm
---	--------

X1	310 mm
----	--------

Y1	310 mm
----	--------

Contact to Schmalz

J. Schmalz GmbH | Johannes-Schmalz-Straße, 72293 Glatten, Deutschland | +49 7443 2403-102 | customercenter@schmalz.de



Technical Data

Attribute	Value
Suction rate (60 Hz)	610 m ³ /h
Suction rate (60 Hz)	10,166.6 l/min
Vacuum (60Hz)	175 mbar
Protection	IP 55
Rated power (60 Hz)	4.8 kW
Noise level (60 Hz)	76.7 dB
Weight	61.5 kg

Contact to Schmalz