

# Vacuum blower

## SB 510 200 4 IE3-TYP3

Part no.: 10.04.01.00079

<https://www.schmalz.com/10.04.01.00079>



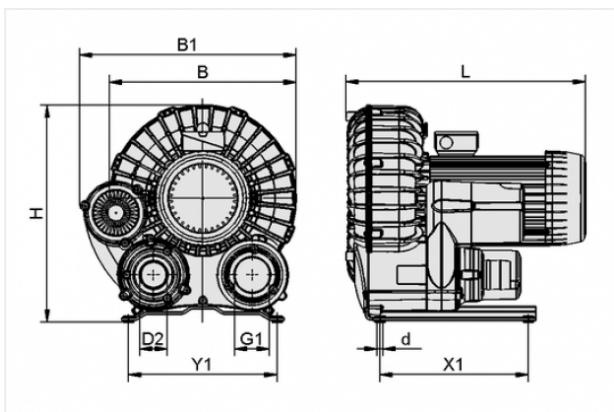
Homepage > Vacuum Technology for Automation > Vacuum Components > Vacuum Generators > Vacuum Blowers > Vacuum Blowers SB > SB 510 200 4 IE3-TYP3

## Vacuum Blower for high suction rate



Suction rate (50 Hz): 510 m<sup>3</sup>/h  
Suction rate (60 Hz): 610 m<sup>3</sup>/h  
Vacuum (50Hz): 200 mbar  
Vacuum (60Hz): 175 mbar  
Rated power (50 Hz): 4 kW  
Rated power (60 Hz): 4.8 kW  
Construction: IE3:JPN/KOR/BRA  
Noise level (50 Hz): 75.5 dB  
Voltage (50 Hz): D200V/Y350V ±10 %  
Voltage (60 Hz): D220V/Y380-400V ±10%  
Permission: IE3  
Weight: 61.5 kg

## Design Data



Attribute	Value
B	474 mm
B1	496 mm
d	12 mm
D2	75 mm
G1	G2-1/2"-F
H	523 mm
L	496 mm
X1	310 mm
Y1	310 mm

## Contact to Schmalz

J. Schmalz GmbH | Johannes-Schmalz-Straße, 72293 Glatten, Deutschland | +49 7443 2403-102 | [customercenter@schmalz.de](mailto:customercenter@schmalz.de)

## Technical Data

Attribute	Value
Suction rate (50 Hz)	510 m <sup>3</sup> /h
Suction rate (50 Hz)	8,499.9 l/min
Suction rate (60 Hz)	610 m <sup>3</sup> /h
Suction rate (60 Hz)	10,166.6 l/min
Vacuum (50Hz)	200 mbar
Vacuum (60Hz)	175 mbar
Protection	IP 55
Rated power (50 Hz)	4 kW
Rated power (60 Hz)	4.8 kW
Noise level (50 Hz)	75.5 dB
Noise level (60 Hz)	76.7 dB
Weight	61.5 kg

---

---

### Contact to Schmalz