

# Vacuum blower

## SB 470 290 4.8 IE3-TYP2

<https://www.schmalz.com/10.04.01.00077>



Part no.: 10.04.01.00077

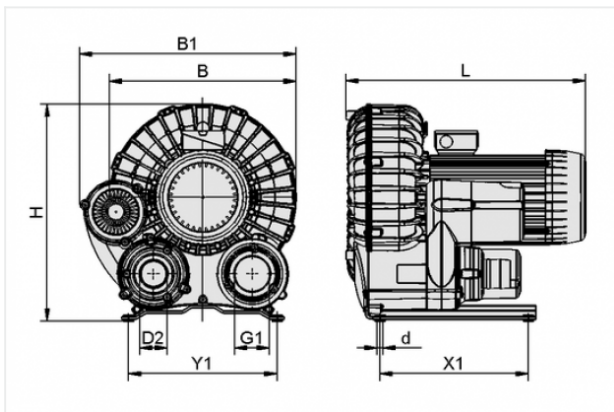
Homepage > Vacuum Technology for Automation > Vacuum Components > Vacuum Generators > Vacuum Blowers > Vacuum Blowers SB > SB 470 290 4.8 IE3-TYP2

### Vacuum Blower for high suction rate



Suction rate (60 Hz): 470 m<sup>3</sup>/h  
Vacuum (60Hz): 290 mbar  
Rated power (60 Hz): 4.8 kW  
Construction: IE3:US/CAN  
Voltage (60 Hz): D230/Y460V  
Permission: IE3/UL/CSA  
Weight: 53 kg

### Design Data



Attribute	Value
-----------	-------

B	390 mm
B1	452 mm
d	12 mm
D2	75 mm
G1	G2-1/2"-F
H	454 mm
L	502 mm
X1	310 mm
Y1	310 mm

### Contact to Schmalz

J. Schmalz GmbH | Johannes-Schmalz-Straße, 72293 Glatten, Deutschland | +49 7443 2403-102 | [customercenter@schmalz.de](mailto:customercenter@schmalz.de)



## Technical Data

Attribute	Value
Suction rate (60 Hz)	470 m <sup>3</sup> /h
Suction rate (60 Hz)	7,833.3 l/min
Vacuum (60Hz)	290 mbar
Protection	IP 55
Rated power (60 Hz)	4.8 kW
Noise level (60 Hz)	74.4 dB
Weight	53 kg

---

---

### Contact to Schmalz