

Vacuum blower

SB 305 400 4.8 IE3-TYP2

<https://www.schmalz.com/10.04.01.00095>



Part no.: 10.04.01.00095

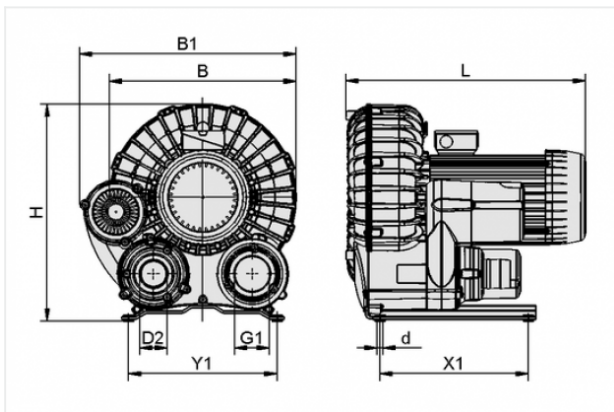
Homepage > Vacuum Technology for Automation > Vacuum Components > Vacuum Generators > Vacuum Blowers > Vacuum Blowers SB > SB 305 400 4.8 IE3-TYP2

Vacuum Blower for high suction rate



Suction rate (60 Hz): 305 m³/h
Vacuum (60Hz): 400 mbar
Rated power (60 Hz): 4.8 kW
Construction: IE3:US/CAN
Voltage (60 Hz): YY230/Y460V ±10%
Permission: IE3/UL/CSA
Weight: 62.5 kg

Design Data



Attribute	Value
-----------	-------

B	474 mm
B1	495 mm
d	12 mm
D2	59 mm
G1	G2-1/2"-F
H	523 mm
L	496 mm
X1	310 mm
Y1	310 mm

Contact to Schmalz

J. Schmalz GmbH | Johannes-Schmalz-Straße, 72293 Glatten, Deutschland | +49 7443 2403-102 | customercenter@schmalz.de

Technical Data

Attribute	Value
Suction rate (60 Hz)	305 m ³ /h
Suction rate (60 Hz)	5,083.3 l/min
Vacuum (60Hz)	400 mbar
Protection	IP 55
Rated power (60 Hz)	4.8 kW
Noise level (60 Hz)	71.7 dB
Weight	62.5 kg

Accessories



STF 60 P 6.0 SSD

Part no. 10.07.01.00260

Dust filter

Connection: Ø60mm

Shape: Piclon housing

Nominal flow rate: 360 m³/h

Filter pore size: 3 µm

Additional equipment: Hose clamps SSD