

Dust filter

STF 60 P 6.0 SSD

Part no.: 10.07.01.00260

<https://www.schmalz.com/10.07.01.00260>



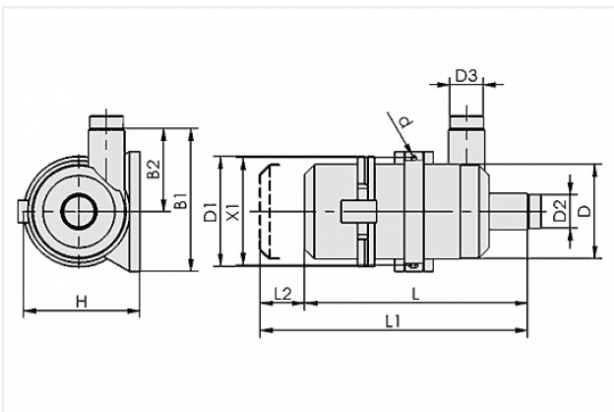
Homepage > Vacuum Technology for Automation > Vacuum Components > Filters and Connections > Vacuum Filters > Vacuum Filters VF / STF / STF-D > STF 60 P 6.0 SSD

Dust filter



Connection: Ø60mm
 Shape: Piclon housing
 Nominal flow rate: 360 m³/h
 Filter pore size: 3 µm
 Additional equipment: Hose clamps SSD

Design Data



Attribute	Value
B1	265 mm
B2	142 mm
d	8.5 mm
D	200 mm
D1	229 mm
D2	60 mm
D3	60 mm
H	253 mm
L	390 mm
L1	741 mm
L2	351 mm
X1	220 mm

Contact to Schmalz

J. Schmalz GmbH | Johannes-Schmalz-Straße, 72293 Glatten, Deutschland | +49 7443 2403-102 | customercenter@schmalz.de

Technical Data

Attribute	Value
Connection	Ø60mm
Nominal flow rate	360 m ³ /h
Nominal flow rate	6000 l/min
Vacuum (max)	-500 mbar
Filter pore size	3 µm
Weight	2.4 kg

Spare Parts



SSD 60-68 ST-VZ

Part no. 10.07.10.00017

Hose clamp for securing wire-reinforced hoses

Clamping range: 60.0 ... 68.0 mm

Material: Steel

Surface: galvanised