

Vacuum blower

SB 210 370 3 IE3-TYP1

<https://www.schmalz.com/10.04.01.00090>



Part no.: 10.04.01.00090

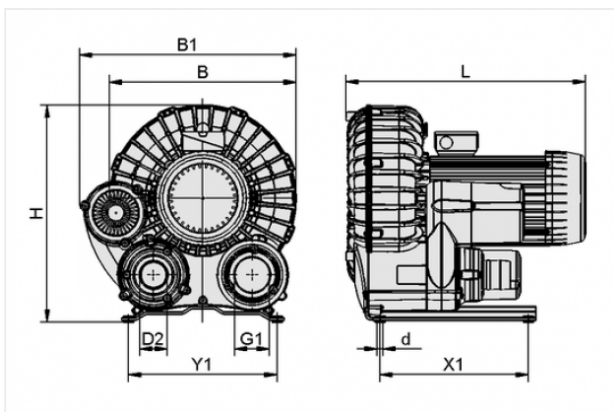
Homepage > Vacuum Technology for Automation > Vacuum Components > Vacuum Generators > Vacuum Blowers > Vacuum Blowers SB > SB 210 370 3 IE3-TYP1

Vacuum Blower for high suction rate



Suction rate (50 Hz): 210 m³/h
Suction rate (60 Hz): 250 m³/h
Vacuum (50Hz): 370 mbar
Vacuum (60Hz): 350 mbar
Rated power (50 Hz): 3 kW
Rated power (60 Hz): 3.6 kW
Construction: IE3:EU/CN/IND
Noise level (50 Hz): 71.1 dB
Voltage (50 Hz): D230V/Y400V ±10%
Voltage (60 Hz): D265V/Y460V ±10%
Permission: IE3/UL/CSA
Weight: 49 kg

Design Data



Attribute	Value
B	390 mm
B1	452 mm
d	12 mm
D2	59 mm
G1	G2-1/2"-F
H	454 mm
L	479 mm
X1	310 mm
Y1	310 mm

Contact to Schmalz

J. Schmalz GmbH | Johannes-Schmalz-Straße, 72293 Glatten, Deutschland | +49 7443 2403-102 | customercenter@schmalz.de

Technical Data

Attribute	Value
Suction rate (50 Hz)	210 m ³ /h
Suction rate (50 Hz)	3,499.9 l/min
Suction rate (60 Hz)	250 m ³ /h
Suction rate (60 Hz)	4,166.6 l/min
Vacuum (50Hz)	370 mbar
Vacuum (60Hz)	350 mbar
Protection	IP 55
Rated power (50 Hz)	3 kW
Rated power (60 Hz)	3.6 kW
Noise level (50 Hz)	71.1 dB
Noise level (60 Hz)	73 dB
Weight	49 kg

Accessories



STF 60 P 4.5 SSD

Part no. 10.07.01.00259

Dust filter

Connection: Ø60mm

Shape: Piclon housing

Nominal flow rate: 270 m³/h

Filter pore size: 3 µm

Additional equipment: Hose clamps SSD

Contact to Schmalz