

# Vacuum blower

## SB 390 245 3.6 IE3-TYP2

<https://www.schmalz.com/10.04.01.00074>



Part no.: 10.04.01.00074

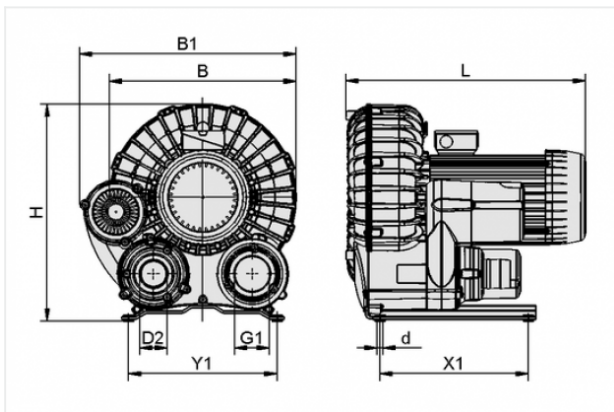
Homepage > Vacuum Technology for Automation > Vacuum Components > Vacuum Generators > Vacuum Blowers > Vacuum Blowers SB > SB 390 245 3.6 IE3-TYP2

## Vacuum Blower for high suction rate



Suction rate (60 Hz): 390 m<sup>3</sup>/h  
Vacuum (60Hz): 245 mbar  
Rated power (60 Hz): 3.6 kW  
Construction: IE3:US/CAN  
Voltage (60 Hz): YY230/Y460V ±10%  
Permission: IE3/UL/CSA  
Weight: 42.5 kg

## Design Data



Attribute	Value
-----------	-------

B	370 mm
B1	439 mm
d	10.2 mm
D2	59 mm
G1	G2"-F
H	426 mm
L	494 mm
X1	290 mm
Y1	290 mm

## Contact to Schmalz

J. Schmalz GmbH | Johannes-Schmalz-Straße, 72293 Glatten, Deutschland | +49 7443 2403-102 | [customercenter@schmalz.de](mailto:customercenter@schmalz.de)

## Technical Data

Attribute	Value
Suction rate (60 Hz)	390 m <sup>3</sup> /h
Suction rate (60 Hz)	6,499.9 l/min
Vacuum (60Hz)	245 mbar
Protection	IP 55
Rated power (60 Hz)	3.6 kW
Noise level (60 Hz)	71 dB
Weight	42.5 kg

## Accessories



### STF 60 P 8.0

Part no. 10.07.01.00384

Dust filter

Connection: Ø60mm

Shape: Piclon housing

Nominal flow rate: 480 m<sup>3</sup>/h