

Vacuum blower

SB 325 265 3 IE3-TYP3

<https://www.schmalz.com/10.04.01.00073>



Part no.: 10.04.01.00073

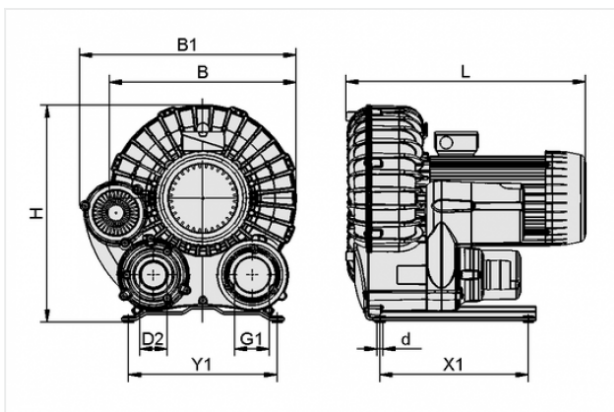
Homepage > Vacuum Technology for Automation > Vacuum Components > Vacuum Generators > Vacuum Blowers > Vacuum Blowers SB > SB 325 265 3 IE3-TYP3

Vacuum Blower for high suction rate



Suction rate (50 Hz): 325 m³/h
Suction rate (60 Hz): 390 m³/h
Vacuum (50Hz): 265 mbar
Vacuum (60Hz): 245 mbar
Rated power (50 Hz): 3 kW
Rated power (60 Hz): 3.6 kW
Construction: IE3:JPN/KOR/BRA
Noise level (50 Hz): 70.1 dB
Voltage (50 Hz): D200V/Y350V ±10 %
Voltage (60 Hz): D220V/Y380-400V ±10%
Permission: IE3
Weight: 42.5 kg

Design Data



Attribute	Value
-----------	-------

B	370 mm
B1	439 mm
d	10.2 mm
D2	59 mm
G1	G2"-F
H	426 mm
L	494 mm
X1	290 mm
Y1	290 mm

Contact to Schmalz

J. Schmalz GmbH | Johannes-Schmalz-Straße, 72293 Glatten, Deutschland | +49 7443 2403-102 | customercenter@schmalz.de

Technical Data

Attribute	Value
Suction rate (50 Hz)	325 m ³ /h
Suction rate (50 Hz)	5,416.6 l/min
Suction rate (60 Hz)	390 m ³ /h
Suction rate (60 Hz)	6,499.9 l/min
Vacuum (50Hz)	265 mbar
Vacuum (60Hz)	245 mbar
Protection	IP 55
Rated power (50 Hz)	3 kW
Rated power (60 Hz)	3.6 kW
Noise level (50 Hz)	70.1 dB
Noise level (60 Hz)	71 dB
Weight	42.5 kg

Accessories



STF 60 P 8.0

Part no. 10.07.01.00384

Dust filter

Connection: Ø60mm

Shape: Piclon housing

Nominal flow rate: 480 m³/h