

# Vacuum blower

## SB 180 215 1.5 IE3-TYP1

<https://www.schmalz.com/10.04.01.00069>



Part no.: 10.04.01.00069

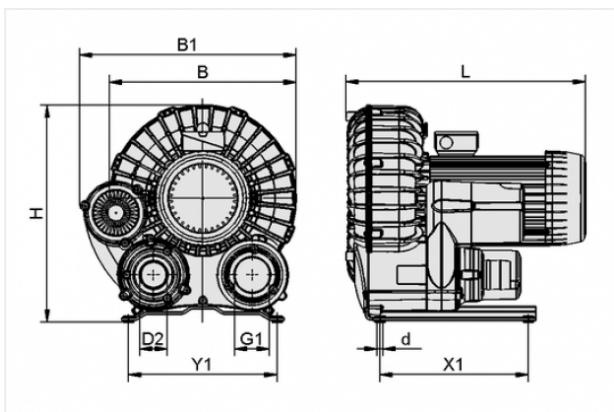
Homepage > Vacuum Technology for Automation > Vacuum Components > Vacuum Generators > Vacuum Blowers > Vacuum Blowers SB > SB 180 215 1.5 IE3-TYP1

### Vacuum Blower for high suction rate



Suction rate (50 Hz): 180 m<sup>3</sup>/h  
Suction rate (60 Hz): 230 m<sup>3</sup>/h  
Vacuum (50Hz): 215 mbar  
Vacuum (60Hz): 230 mbar  
Rated power (50 Hz): 1.5 kW  
Rated power (60 Hz): 1.8 kW  
Construction: IE3:EU/CN/IND  
Noise level (50 Hz): 63.9 dB  
Voltage (50 Hz): D230V/Y400V ±10%  
Voltage (60 Hz): D265V/Y460V ±10%  
Permission: IE3  
Weight: 28.5 kg

### Design Data



Attribute	Value
B	306 mm
B1	317 mm
d	10.2 mm
D2	59 mm
G1	G1-1/2"-F
H	357 mm
L	431 mm
X1	240 mm
Y1	240 mm

### Contact to Schmalz

J. Schmalz GmbH | Johannes-Schmalz-Straße, 72293 Glatten, Deutschland | +49 7443 2403-102 | [customercenter@schmalz.de](mailto:customercenter@schmalz.de)

## Technical Data

Attribute	Value
Suction rate (50 Hz)	180 m <sup>3</sup> /h
Suction rate (50 Hz)	2,999.9 l/min
Suction rate (60 Hz)	230 m <sup>3</sup> /h
Suction rate (60 Hz)	3,833.3 l/min
Vacuum (50Hz)	215 mbar
Vacuum (60Hz)	230 mbar
Protection	IP 55
Rated power (50 Hz)	1.5 kW
Rated power (60 Hz)	1.8 kW
Noise level (50 Hz)	63.9 dB
Noise level (60 Hz)	69.2 dB
Weight	28.5 kg

## Accessories



### STF 60 P 4.5 SSD

Part no. 10.07.01.00259

Dust filter

Connection: Ø60mm

Shape: Piclon housing

Nominal flow rate: 270 m<sup>3</sup>/h

Filter pore size: 3 µm

Additional equipment: Hose clamps SSD